



StarSense Explorer™ DOB



INSTRUCTION MANUAL

#22470 STARSENSE EXPLORER 8" DOBSONIAN

#22471 STARSENSE EXPLORER 10" DOBSONIAN

INTRODUCTION

Congratulations on your purchase of the StarSense Explorer Dobsonian (SSE Dob) telescope. Your SSE Dob combines large optics with the exciting StarSense Explorer dock and app to make finding and observing all kinds of astronomical objects fun and easy! You'll be able to locate faint deep-sky objects—galaxies, nebulae, star clusters and more— and place them within the field of view of the eyepiece in seconds. The large primary mirror collects lots of light, enabling you to see details in objects that you have never seen before.

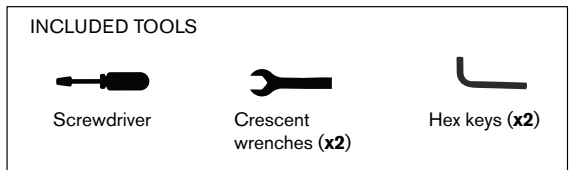
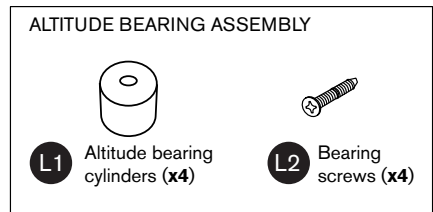
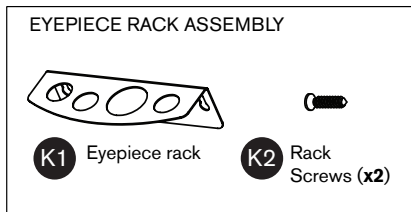
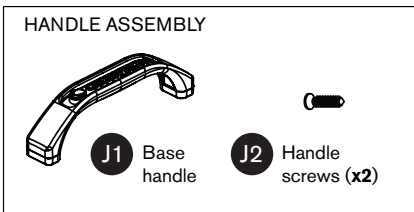
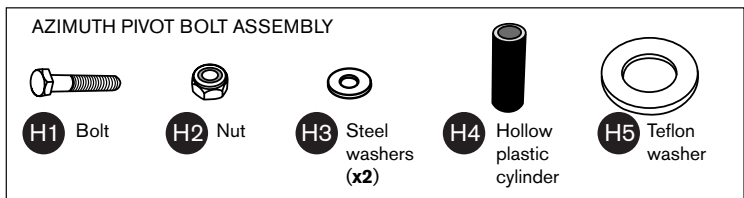
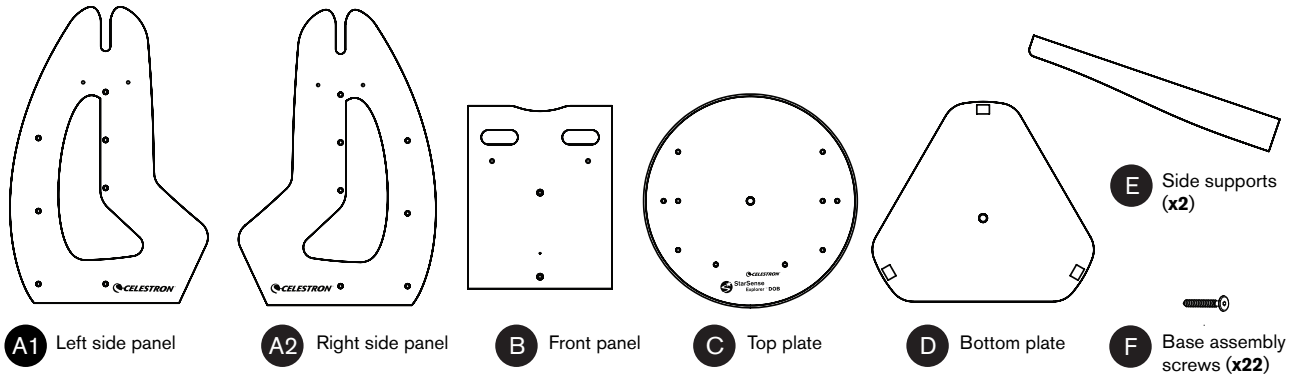
Before you take your StarSense Explorer Dob outside for your first night of observing, we recommend reading through this manual. It will help you to better understand the features of your telescope and know what to expect.

TABLE OF CONTENTS

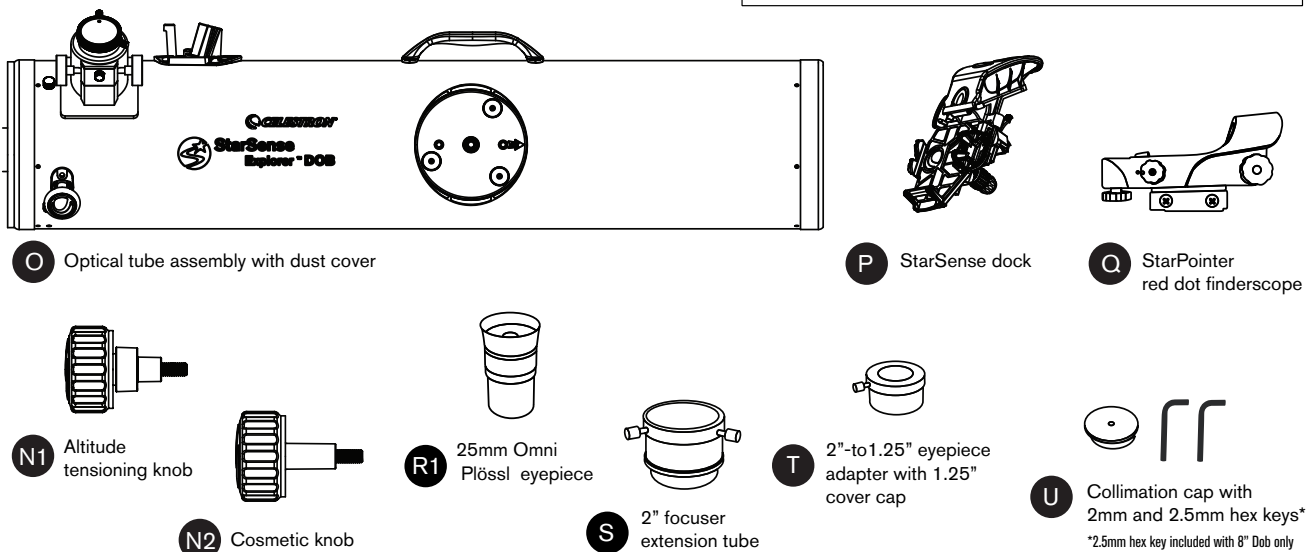
What's in the Box	4
Base Assembly	5
Telescope Assembly	6
Pointing the Telescope	7
Focusing	8
Using the StarPointer	9
StarSense Explorer Dock and App	10
Determining Magnification and Selecting Eyepieces	11
Cooling your Telescope's Optics	11
Your First Night Out - What to Expect	12
Dark Adaptation and Light Pollution	13
Use of Filters.	13
Collimating the Optics	14
Transporting	16
Care and Maintenance	17
Specifications StarSense Explorer 8" Dobsonian	18
Specifications StarSense Explorer 10" Dobsonian.	19
Solar Warning	20

WHAT'S IN THE BOX

Box 1 - Dobsonian Base



Box 2 - Optical Tube Assembly



NOTE: For collimating your telescope's optics, refer to page 14

BASE ASSEMBLY

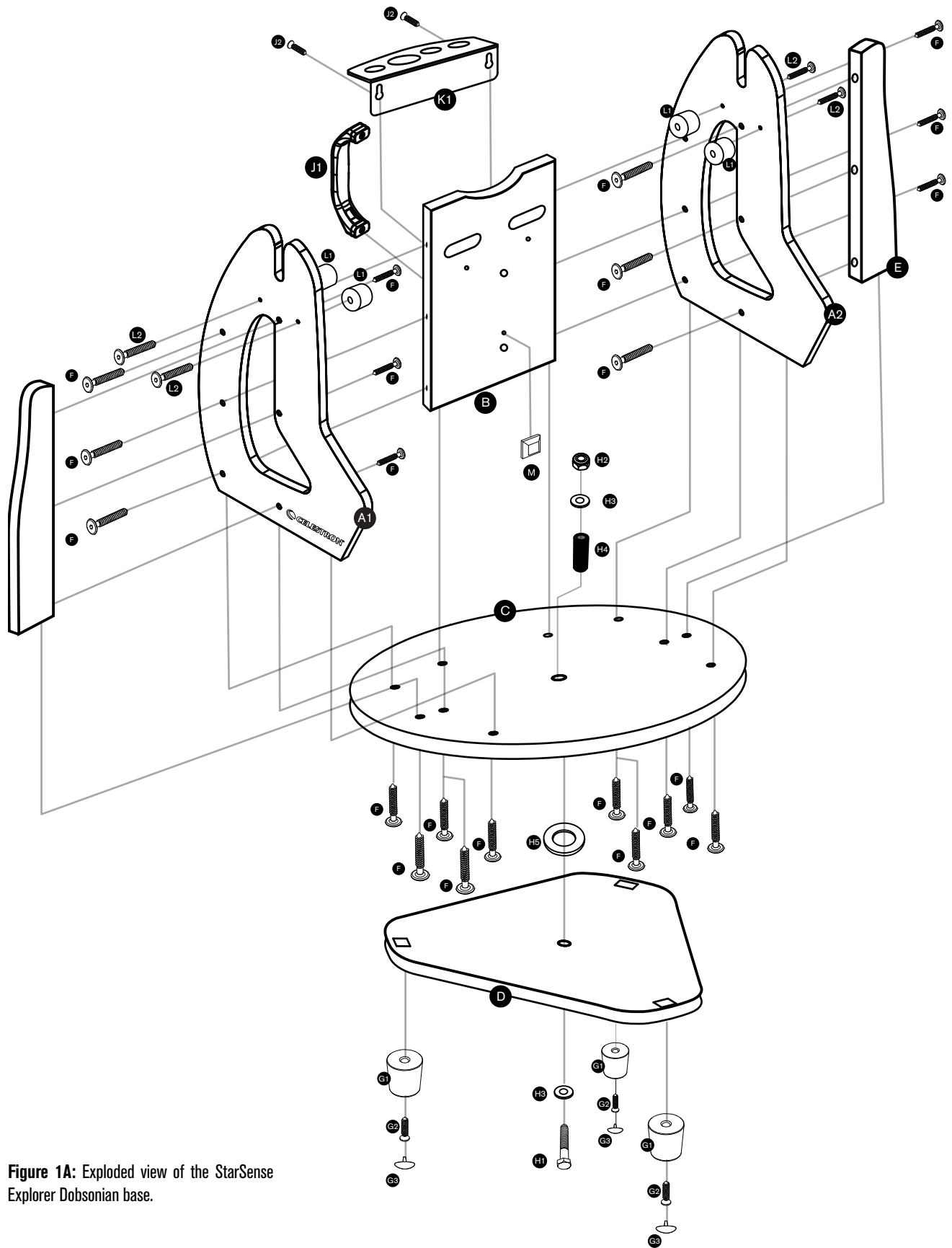


Figure 1A: Exploded view of the StarSense Explorer Dobsonian base.

TELESCOPE ASSEMBLY

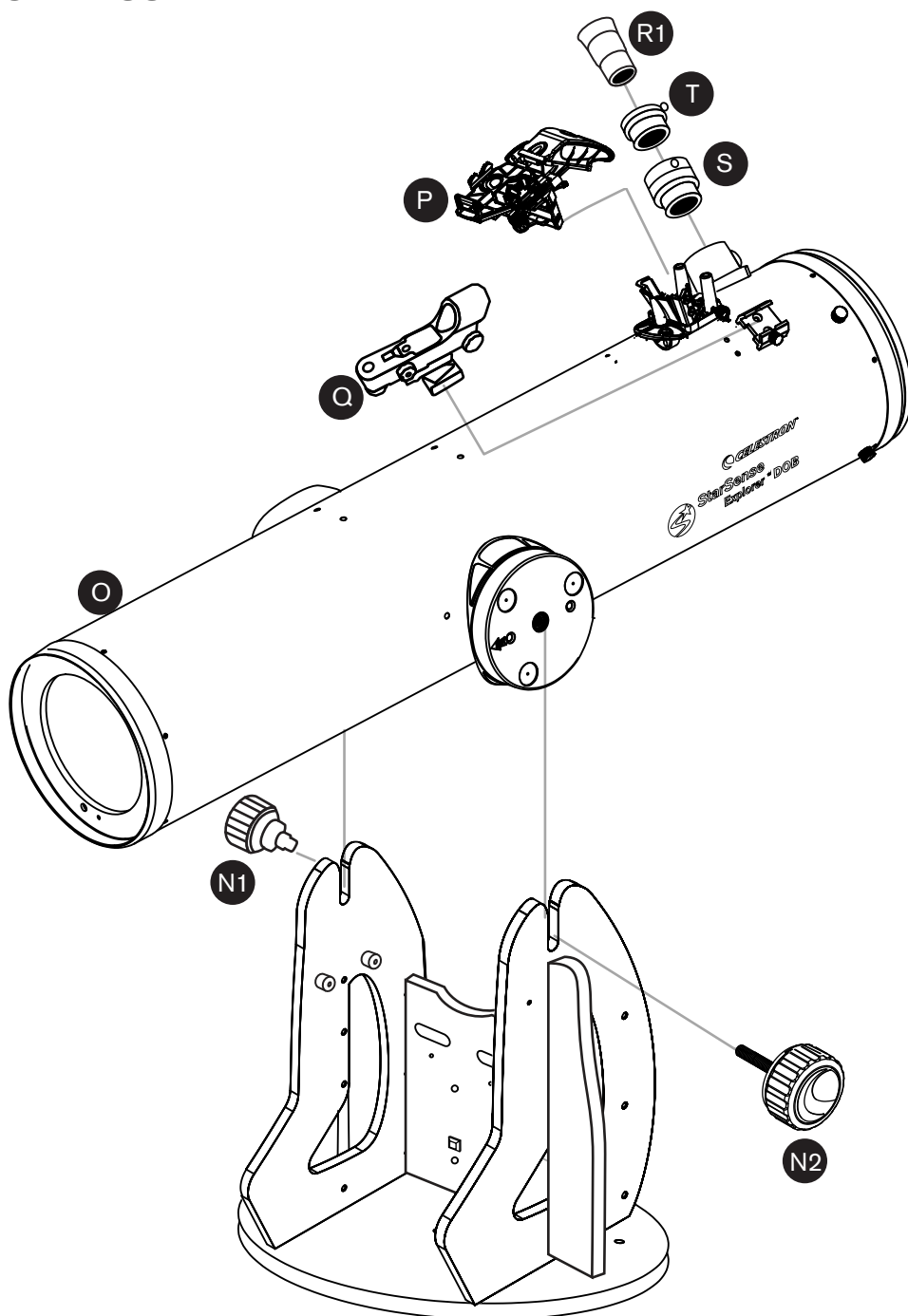


Figure 1B: Exploded view of the StarSense Explorer Optical Tube Assembly

Refer to Figure 1 to see how the parts of the SSE Dob fit together.

For detailed assembly instructions, refer to the printed Quick Setup Guide included in the box, or on the SSE Dob product page at www.celestron.com

POINTING THE TELESCOPE

Dobsonian bases are altazimuth mounts. This means that the telescope moves in two directions: up-and-down (i.e. altitude), and left-to-right (i.e. azimuth) (Figure 2).



Figure 2: The StarSense Explorer Dobsonians have two axes of motion: altitude (up-and-down) and azimuth (left-to-right).

Pointing your Dob at an object is easy. Simply move the telescope tube up-and-down and left-to-right until the telescope is pointed toward the desired object and the object appears in the telescope's eyepiece. The panning knob at the front of the telescope tube provides a convenient place to grasp the tube for pointing (Figure 3). Using this knob also prevents heat from your hand from entering the optical path, which can temporarily distort the view.



Figure 3: The panning knob provides an excellent place for your fingers to grasp when pointing the telescope.

You can adjust the tension along the altitude axis by turning the knob located on the same side as the telescope's focuser—the altitude tensioning knob (Figure 4).



Figure 4: The tension of the altitude motion can be adjusted with the altitude tensioning knob. (**NOTE:** the other knob on the opposite side does not function for adjusting altitude tension.)

Turn the knob to add enough tension to provide a smooth up-and-down motion. Under most circumstances you won't need to add much tension. The telescope is balanced for normal use. However, if you are using a heavy eyepiece or a larger smartphone, you may need to add more tension so that the telescope remains still when not touched.

FOCUSING

The SSE Dobs come with a 2" Crayford focuser, a 2" extension tube, and a 2"-to-1.25" eyepiece adapter. With these three items, you can use virtually any telescope eyepiece with the SSE Dob.

For most eyepieces, make sure the 2" extension tube is in place in the focuser. If it's not, the eyepiece will not reach focus. If you're using an eyepiece that requires a lot of inward focus travel, remove the 2" extension tube. You may need to remove the tube if attempting to use your Dob with an astronomical imaging camera.

If you wish to use a 1.25" format eyepiece, you'll need to use the 2"-to-1.25" eyepiece adapter. Simply place it in the focuser (with 2" extension tube attached), and then place the 1.25" eyepiece in the adapter. Tighten the thumbscrew on the adapter to secure the eyepiece in place. The adapter uses an internal brass compression ring so your eyepiece barrel won't be scratched or marred.

To focus, turn the focus knobs clockwise or counterclockwise until the object in the telescope eyepiece is in sharp focus. To lock the focuser position in place once you have achieved sharp focus, tighten the focus lock thumbscrew (Figure 5). If you need to adjust the focus knob's tension, you can tighten or loosen the focuser tensioning set screw using the provided hex key.

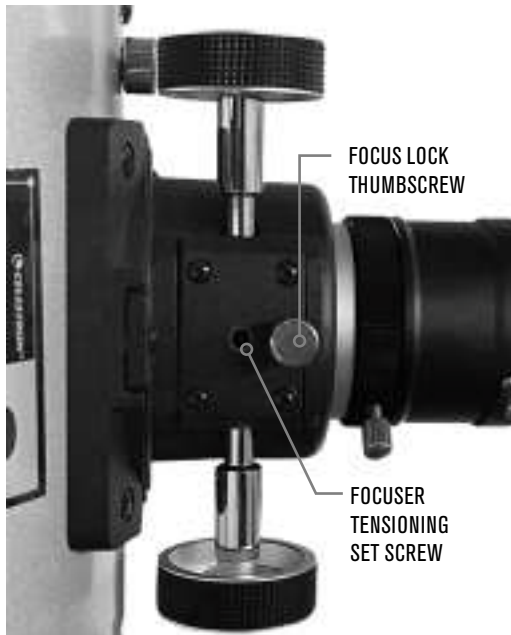


Figure 5: The focus lock thumbscrew locks the focuser in place once focus has been achieved. The focus tensioning set screw adjusts the tension of the focusing knobs.

Since the SSE Dob is a Newtonian reflector, the images you'll see will appear upside-down as compared to the naked eye (Figure 6). While this has little impact on astronomical observing, it can be a bit confusing when you are viewing land-based objects.



NAKED EYE VIEW



VIEW THROUGH NEWTONIAN REFLECTOR TELESCOPE

Figure 6: Like all Newtonian reflectors, the SSE Dobs produce images that appear upside-down as compared to the naked eye.

USING THE STARPOINTER

Although you won't need to rely on the StarPointer red-dot finder when you are using the StarSense Explorer app, it can help you align the app with the telescope. The StarPointer also comes in handy when you are locating objects during the day, since the app only works under the stars at night.

To align the StarPointer, first point the telescope at an object that is at least ¼ mile away. We recommend aligning during the day. Choose a distant tree, sign, building, or other landmark. If you are aligning at night, you can use a streetlight, the Moon, or a bright star or planet.

Once you have pointed the telescope at the object, check to ensure that it appears in the eyepiece. Next, turn the StarPointer on using the LED dial (Figure 7).

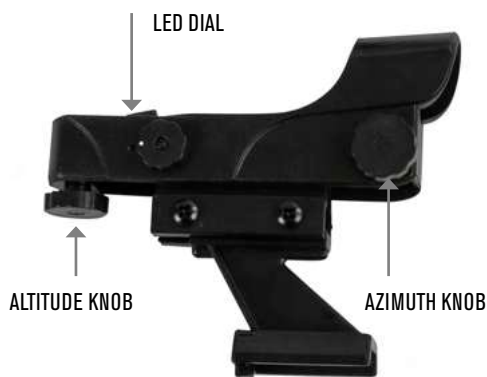


Figure 7: The StarPointer red-dot finderscope.

Turn up the brightness level until you can easily see the red dot. Now, without moving the telescope, use the StarPointer's altitude and azimuth adjustment knobs to center the red dot on the same object that you centered in the telescope eyepiece. When you're finished, check to make sure the object is still centered in the telescope eyepiece. If it is, you are done aligning the StarPointer. If not, move the telescope so the object in the telescope's eyepiece is centered again. Continue using StarPointer's altitude and azimuth adjustment knobs to center the red dot on the object again.

Turn off the StarPointer when you aren't using it to conserve its battery. While the StarPointer's battery should last a long time, eventually it will need to be replaced with a CR2032 3V Lithium button cell battery. These are very common and available from a wide variety of retailers.

To replace the battery:

1. Use a Phillips-head screwdriver to remove the battery cover securing screw (Figure 8).



Figure 8: To open the StarPointer's battery cover, first remove the securing screw.

2. Remove the discharged battery from the battery compartment. You may need to use a knife or screwdriver to pry the battery out of its holder.
3. Insert the new battery so that the positive side is visible to you. Make sure the battery is properly seated within the battery compartment (Figure 9).



Figure 9: When the battery is properly seated in the compartment as shown, the battery cover should be easy to reinstall.

4. Close the battery compartment and reinstall the securing screw.

STARSENSE EXPLORER DOCK AND APP

Perhaps the most exciting feature of the StarSense Explorer Dobsonian is the StarSense Explorer dock and the StarSense Explorer smartphone app. With the app to guide you, you'll spend more time observing objects instead of struggling to find them among myriad stars overhead! The Celestron StarSense Explorer is the only Dobsonian that includes this incredible feature.

To begin, download and install the app from the Apple App Store (iOS) or Google Play (Android). You'll also find the minimum system requirements there. If you have any questions about whether your smartphone is compatible with the app, please visit celestron.com/SSE

Once you have downloaded the app, use the app unlock code that you'll find on the printed card that came with your telescope (Figure 10).

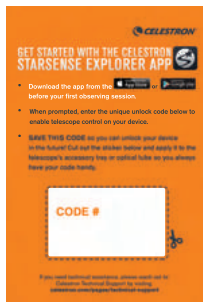


Figure 10: The StarSense Explorer App unlock code is printed on the card included with your telescope.

Each code can enable up to five devices to use the StarSense Explorer functionality. If you use the code all five times and need to unlock the app on more devices, please contact Celestron Technical Support at celestron.com/pages/technical-support for options.

With the app unlocked, you are ready to begin. Place your smartphone into the StarSense Explorer dock and press the StarSense icon at the bottom of the planetarium screen (Figure 11).

Choose the "NEEDS ALIGNMENT" option and follow the on-screen prompts to align the smartphone's camera with the telescope. Once this procedure is complete, you can use the app to locate objects.

Select an object to view from the planetarium or the "Tonight's Best" list (i.e. press the star icon). Arrows will appear on screen, guiding you to the object. Follow the arrows until the bullseye turns green and the object is in your telescope's field of view. It's that easy!

While you observe, you can read detailed information about the object. Hundreds of the most popular objects also offer an audio presentation. To listen, press the bar at the bottom of the screen that contains the object's name (Figure 12).



Figure 11: Once you have unlocked the StarSense Explorer app, press the StarSense icon to begin finding objects.



Figure 12: Press the Object Info bar to receive additional information about the selected object, including images and audio presentations for many objects.

DETERMINING MAGNIFICATION AND SELECTING EYEPIECES

To change the magnification of the telescope, you'll need to swap out the eyepiece in the telescope's focuser. To calculate the magnification you can achieve with a given eyepiece, use this formula:

$$\begin{aligned} &\text{Focal length of telescope} \div \\ &\text{Focal length of eyepiece} \\ &= \text{Magnification} \end{aligned}$$

The SSE Dobs have a focal length of 1200mm. They come with a 25mm Omni Plössl eyepiece. Using the formula, we can calculate that this combination yields a magnification of 48x ($1200\text{mm} \div 25\text{mm} = 48\text{x}$). This is an excellent magnification for locating and observing wide-field deep space objects. You may want to consider purchasing a higher-magnification eyepiece, like a 10mm Omni Plössl, for higher-power views of the Moon and planets. Do not increase magnification too much though, or the view may degrade due to atmospheric seeing conditions (i.e. air turbulence).

The maximum magnification for any telescope is about 60 times per inch, which equates to 480x for the 8" SSE Dob, and 600x for the 10" SSE Dob. In many locations, however, it will be difficult to achieve sharp images much over 100x magnification due to turbulence in the air above you. If you notice that the stars overhead are twinkling heavily, seeing conditions are poor. You should stick to lower magnification. If the stars appear to shine steadily, seeing conditions are good. You can try using higher-magnification eyepieces.

The SSE Dobs can accept both 1.25" and 2" format eyepieces. 2" eyepieces generally provide a wider field of view but can cost significantly more. To use a 2" eyepiece, remove the 2"-to-1.25" adapter from the focuser and insert the eyepiece directly into the 2" extension tube. Secure the eyepiece with the thumbscrews on the 2" extension tube.

The eyepiece rack located on the front of the base provides a convenient place to put eyepieces when they are not in use. It can accept three 1.25" eyepieces and one 2" eyepiece (Figure 13).



Figure 13: The eyepiece rack is a convenient place to store additional eyepieces during your observing session.

COOLING YOUR TELESCOPE'S OPTICS

You'll get the best views through your telescope when it has reached thermal equilibrium with the ambient air. If the telescope is warmer than the outside air, the mirror will be acclimating to the temperature and its figure will be changing. The images you see through a telescope that has not cooled will not appear as sharp as they otherwise would. If you are taking your telescope from a heated house to the outdoors, allow around one hour before expecting it to produce sharp images. For this reason, we recommend storing your telescope in a dry but unheated area like a garage or storage shed.

For the 10" SSE Dob, there is an optional USB Cooling Fan for Dobsonians available. It mounts onto the rear of the mirror cell and blows air on the mirror to expedite cooling (Figure 14). The fan will help the optics reach thermal equilibrium faster. (The 8" SSE Dob does not have a fan mount so it is not compatible with the Cooling Fan.)



Figure 14: The optional USB Cooling Fan for Dobsonians is compatible with the 10" SSE Dob.

YOUR FIRST NIGHT OUT - WHAT TO EXPECT

You can observe literally thousands of objects with the larger aperture of the SSE Dobs:

The Moon

Observing the lunar surface is a great place to start. You'll easily see craters, maria, lacus, valleys, mountains, and other features. The Moon is so bright that you might want to consider using an optional Moon filter. It threads onto bottom of the eyepiece to dim the view. We also recommend a higher-power eyepiece to help you explore the Moon up-close.

Planets

The best planets to view are Jupiter, Saturn, Mars, and Venus. A higher-power eyepiece will help bring out the fine details. You'll be able to see the rings of Saturn, surface detail on Jupiter along with its moons, the phases of Venus, and perhaps some surface detail on Mars if it is near opposition (i.e. when it is closest to the Earth).

Stars and Double Stars

Stars will appear like points of light regardless of the magnification used. However, a telescope can reveal a star's color and also "split" double stars using higher magnifications. For variable stars, see if you can detect a star's change in brightness over a period of days or weeks.

Open Star Clusters

These are star groups that formed together within our Milky Way galaxy. They can appear spectacular in the telescope eyepiece, even from somewhat light-polluted skies. Astronomers often describe star clusters as resembling "crushed diamonds on black velvet" in the telescope's eyepiece. Clusters are generally best viewed with low-power eyepieces, as they usually require a wide field of view to see the entire cluster.

Globular Star Clusters

These are tight clusters of hundreds of thousands of stars that coalesced early in our galaxy's formation. These clusters appear like globes of light. The brighter ones can be resolved into individual stars in good conditions. Most globular clusters are best viewed with a medium-power eyepiece, as they are not nearly as wide as open clusters, yet not bright enough for high power either.

Nebulae

You'll generally need to be under dark skies to see gaseous nebulae, which appear as a faint glow around stars. Don't expect to see any nebulosity from urban skies except for perhaps the brightest ones, like the Orion Nebula and Lagoon Nebula.

Galaxies

Perhaps the most fascinating of all objects to view, galaxies are like "island universes" unto themselves. While you can detect the brightest galaxies, like the Andromeda Galaxy, from somewhat light-polluted skies, they are best observed from dark skies. Literally hundreds of galaxies are well within the observing reach of the SSE Dobs. The best ones display fine details like faint spiral arms and dust lanes. Many, however, will just appear as non-stellar "streaks" or "blobs." Even so, just being able to detect the light from another galaxy outside our own is rewarding in itself.

One thing to keep in mind is that the SSE Dobs are not motorized. This means that they will not automatically track celestial objects as the Earth rotates. As a result, you will notice that objects drift a bit as you observe them and will exit the eyepiece's field of view within a minute or two, depending on the magnification you are using. Objects will drift out of the field of higher-power eyepieces faster, since their field of view is narrower. You will need to manually push the Dob along to keep objects centered over time. This is easy to do. Grab hold of the telescope's panning knob and move it slightly up-and-down and left-to-right as needed.

DARK ADAPTATION AND LIGHT POLLUTION

It takes at least a half-hour for the human eye to become dark-adapted, so don't immediately expect to see subtle detail in faint deep-sky objects as soon as you get outside. While you are observing, avoid any bright lights (like going from outside to inside a lighted house) or else your dark adaptation will need time to reset. Use red flashlights designed for astronomical use, as the red light will not greatly affect your night vision. The Moon will also affect your dark adaptation, so if you directly observe the Moon expect it to take time to regain your night vision.

Local light pollution will greatly diminish the appearance and contrast of fainter deep-sky objects in the telescope. Do not expect to see much detail from urban skies. You'll get your best views from dark sky locations away from city or suburban night lighting. Bright objects such as the Moon, planets, double stars, and bright open star clusters are not affected by light pollution as much, so they make good objects for backyard viewing regardless of where you are. Also keep in mind that the Moon itself can light up much of the night sky, preventing views of faint objects even from dark sites. So schedule deep sky observing when the Moon won't be visible.

USE OF FILTERS

Experiment with adding optional filters to your setup to help improve the view. Astronomical filters thread onto the bottom of your eyepiece and usually come in both 1.25" and 2" formats. Simply remove the eyepiece from the focuser, thread the filter onto the bottom of the eyepiece's barrel, and then reinsert it into the focuser.

There are many useful filters to choose from:

Moon Filter – An essential for viewing lunar details, this filter cuts down on glare and makes bright objects dimmer.

Variable Polarizer – Like a Moon filter, a polarizer dims your view. The key difference is that you can customize the extent of the dimming effect by rotating the polarizer.

Color Filters – Available in a variety of colors, these can improve contrast when observing planetary details.

Light Pollution Filters – If you are viewing deep-space objects from urban or suburban skies, these improve contrast by blocking the "bad" light from local light pollution and transmitting the "good light" from deep-sky objects. You'll notice the greatest improvement in contrast when observing nebulae

COLLIMATING THE OPTICS

Collimation is the process of aligning the telescope's optics. Dobsonians use the Newtonian reflector optical design, which consists of a parabolic primary mirror and a flat secondary mirror. To ensure best performance, you should periodically check the alignment of the optics. To help with this, we have included a special "collimation cap" you can use. In addition, the primary mirror is center-marked with an adhesive ring label to aid in collimation.

To check alignment of the mirrors, first remove any eyepieces. Make sure the 2"-to-1.25" adapter is installed in the focuser. Then, place the collimation cap in the focuser (Figure 15).



Figure 15: To check the alignment of the mirrors, use the included collimation cap in the focuser.

Look through the small hole in the center of the collimation cap. The view should look like Figure 16. If it does not, you'll need to make some adjustments to the mirrors' alignment.

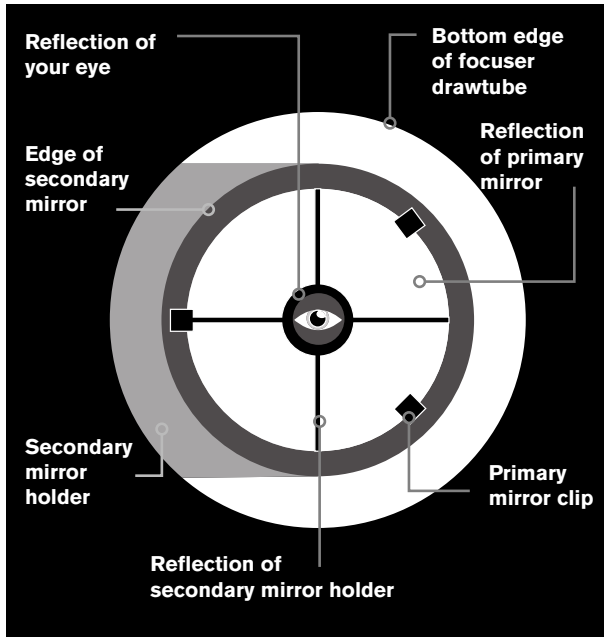


Figure 16: If your telescope is properly aligned, the view through the collimation cap should look like the drawing above.

It is easiest to collimate a telescope during the day with the telescope pointed toward a blank wall. This will provide a high-contrast view, making it easier to determine which adjustments should be made. Use the supplied hex key(s) to make adjustments. The 8" SSE Dob comes with 2mm and 2.5mm hex keys. The 10" SSE Dob comes with a single 2mm hex key. For the 8" SSE Dob, you'll also need to use the supplied Phillips head screwdriver.

First, adjust the secondary mirror at the front of the telescope using the 2mm hex key. While making adjustments, we recommend positioning the tube horizontally. This prevents anything from falling onto the primary mirror.

1. You should be able to see the reflection of the entire primary mirror centered within the secondary mirror as shown in Figure 16. If you can't (like in Figure 17, for example), use the three socket-head set screws in the secondary mirror holder to adjust the tilt of the secondary mirror (Figure 18).

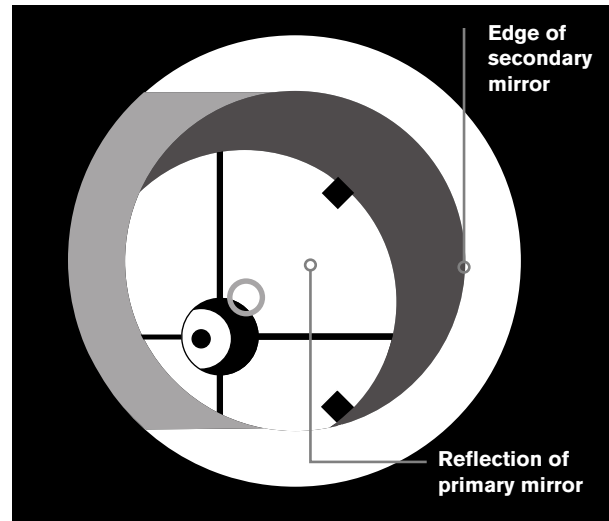


Figure 17: If the reflection of the primary mirror is not centered within the secondary mirror as shown above, you will need to adjust the tilt of the secondary mirror.

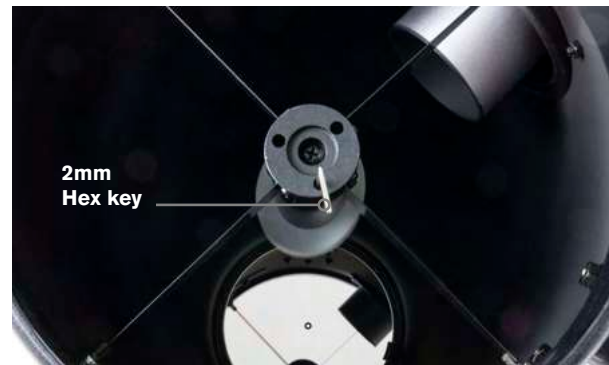


Figure 18: The three socket head set screws in the secondary mirror holder adjust the tilt of the secondary mirror.

- a. Adjust one set screw at a time. Make only small adjustments.
 - b. If one set screw becomes too tight or too loose, make adjustments to the other set screws to compensate.
2. Continue adjusting the set screws until the primary mirror appears centered within the secondary mirror (Figure 19). When you are finished, make sure all three of the set screws are snug.

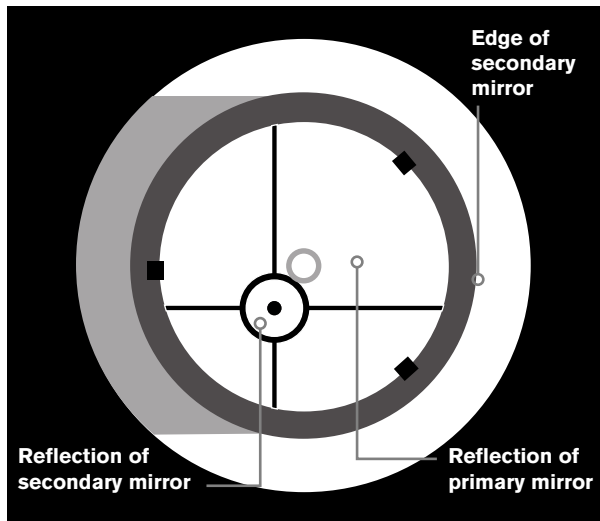


Figure 19: Continue making tilt adjustments to the secondary mirror until the primary mirror reflection is centered as shown in the drawing above.

3. Next, adjust the tilt of the primary mirror until the reflection of the secondary mirror is centered within the reflection of the primary mirror.

For the 8" Dobsonian, use the 2.5mm hex key and Phillips head screwdriver to tilt the primary mirror. There are three pairs of collimation screws. Each pair works together to adjust the tilt.

- a. Adjust one pair of screws at a time. Start by loosening one of the screws in the pair and tightening the other (Figure 20).



Figure 20: For the 8" Dob, there are three sets of push-pull screws in the mirror cell that adjust the tilt of the primary mirror. Loosen one screw in the pair and tighten the other to adjust the tilt.

- b. If the mirror tilts opposite the desired direction, loosen the screw that you previously tightened, and tighten the other screw in the pair.
- c. Once you have adjusted one pair of screws as much as you can, move onto another pair of screws.
- d. Continue adjusting until the reflection of the secondary mirror is centered within the reflection of the primary mirror. When you are finished, the view through the collimation cap should look like Figure 16.

For the 10" Dobsonian, you won't need any tools to tilt the primary mirror. Instead, simply adjust the thumbscrews. Three of the thumbscrews are locking screws, while the other three thumbscrews adjust the tilt.

- a. Start by loosening all three of the locking thumbscrews (Figure 21).



Figure 21: For the 10" Dob, there are three spring-loaded collimation thumbscrews that adjust the tilt of the primary mirror. The other three thumbscrews lock the mirror in place once tilt adjustments are completed.

- b. Adjust the collimation thumbscrews one at a time. Each collimation thumbscrew is spring-loaded, so you can rotate it clockwise or counterclockwise.
- c. Continue adjusting the screws until the reflection of the secondary mirror is centered within the reflection of the primary mirror.
- d. Re-tighten the three locking thumbscrews until snug.
- e. When you are finished, the view through the collimation cap should look like Figure 16.

Your telescope's optics are now aligned and ready for use. You can also confirm a telescope's alignment at night by pointing the telescope at a bright star at high magnification. Center the star in the field of view and slightly defocus the star—it should appear like a circle with a hole in the middle. (The "hole" is the shadow from the secondary mirror.) If the hole is not centered within the circle, you'll need to make additional adjustments to collimation (Figure 22).

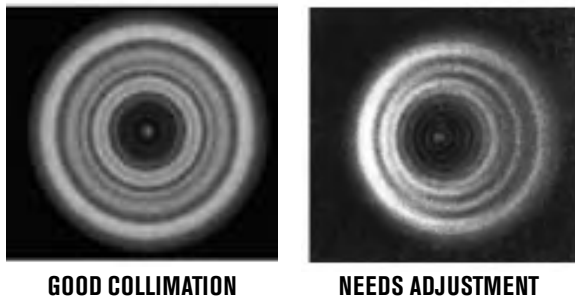


Figure 22: You can check collimation by defocusing a bright star centered in the field of view and checking to see if the "hole" is centered. If it is not centered, some adjustment is needed.

TRANSPORTING

Transporting the StarSense Explorer Dobsonian is easy, especially considering its size. First, remove the telescope tube from the base by loosening the altitude tensioning knob and lifting the telescope tube. You can carry the tube and the base separately by their integrated carry handles. The handles are positioned to balance the load, so neither component should be awkward to carry.

CARE AND MAINTENANCE

Store the telescope indoors in a dry place. A garage is ideal; it will keep the optics near the ambient outdoor temperature so the optics won't take as long to acclimate. Keep the dust cover on the front of the telescope and the cover cap on the focuser when the telescope is not in use. Otherwise, dust and particles can accumulate on the optics.

If the telescope is wet from dew, dry the exterior of the telescope tube and base with a towel prior to storage. While a small amount of water on the exterior of the tube and base won't harm the telescope, storing it wet long-term could cause corrosion or water damage. The wooden base has sealed melamine surfaces. Still, water can seep into cracks if left wet during storage.

It is normal for some dust and particles to accumulate on the primary mirror over time. They will not have any effect on optical performance. However, if the primary mirror gets excessively dirty, you should clean it.

To clean the primary mirror:

1. Remove the primary mirror cell from the telescope tube by removing the screws on the tube just above the mirror cell (Figure 23). You'll need the Phillips head screwdriver to do this.
2. Carefully pull the mirror cell off of the tube.
3. The mirror surface is now exposed for cleaning. We recommend leaving the primary mirror in its cell during cleaning.
4. Use a blower bulb and optics cleaning brush to remove larger particles and dust. In some instances, this will be all the cleaning necessary.

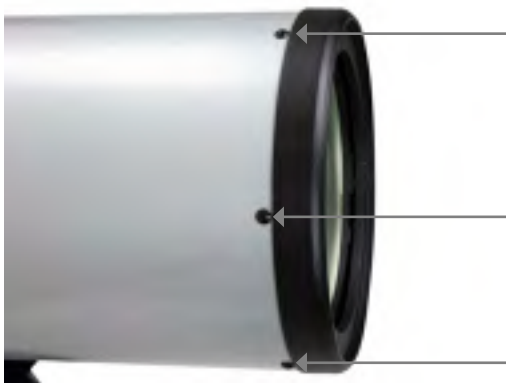


Figure 23: To remove the primary mirror from the telescope tube for cleaning, first remove the screws located just above the mirror cell.

5. To remove marks and oils, use lens cleaning fluid and lens cleaning tissue to clean the mirror surface. Apply the fluid to the tissue and gently wipe the mirror surface. Use radial strokes (i.e. from the center of the mirror to the edge). Use a new tissue for every wipe. Avoid rubbing; this typically just spreads oils around instead of removing them.
6. Once the mirror is clean, reinstall the mirror cell into the telescope tube and replace the screws.

The secondary mirror will not get dirty often, as its optical surface is pointed downward. However, if it does require cleaning, it can be cleaned in the same manner as the primary mirror. You do not need to remove the secondary mirror from the telescope to clean it. Point the telescope horizontally during cleaning to prevent anything from falling onto the primary mirror.

You may clean the exposed optical surfaces of your eyepieces in the same manner described above.

SPECIFICATIONS

#22470 StarSense Explorer 8" Dobsonian

Optical Design	Newtonian reflector
Aperture	8" (203mm)
Focal Length	1200mm
Focal Ratio	F/5.9
Optical Coatings	XLT reflective coatings with silicon dioxide and tantalum pentoxide protective overcoatings for primary and secondary mirrors
Mirror Material	Pyrex equivalent for primary and secondary mirrors
Primary mirror thickness	25mm (approx. 1:8 thickness ratio)
Secondary mirror thickness	8.5mm
Minor axis of secondary mirror	47mm
Tube material	Steel
Focuser	2" Crayford, includes 2" extension tube and 2"-to-1.25" adapter
Eyepiece / Magnification	25mm Plössl, 48x
Finderscope	StarPointer red-dot finderscope
Other Accessories	StarSense Explorer dock, eyepiece rack, collimation cap, carry handles for OTA and base, pointing knob, dust covers
Tripod	Altazimuth Dobsonian base, adjustable altitude tensioning
Optical Tube Dimensions	44" x 9.5" diameter
Optical Tube Weight	20.6 lbs.
Base dimensions	27" x 19" x 19"
Base weight	22.8 lbs.
Total Telescope Kit Weight	43.4 lbs.

SPECIFICATIONS

#22471 StarSense Explorer 10" Dobsonian

Optical Design	Newtonian reflector
Aperture	10" (254mm)
Focal Length	1200mm
Focal Ratio	F/4.7
Optical Coatings	XLT reflective coatings with silicon dioxide and tantalum pentoxide protective overcoatings for primary and secondary mirrors
Mirror Material	Pyrex equivalent for primary and secondary mirrors
Primary mirror thickness	30mm (approx. 1:8.5 thickness ratio)
Secondary mirror thickness	11.5mm
Minor axis of secondary mirror	64mm
Tube material	Steel
Focuser	2" Crayford, includes 2" extension tube and 2"-to-1.25" adapter
Eyepiece / Magnification	25mm Plössl, 48x
Finderscope	StarPointer red-dot finderscope
Other Accessories	StarSense Explorer dock, eyepiece rack, collimation cap, carry handles for OTA and base, pointing knob, dust covers
Tripod	Altazimuth Dobsonian base, adjustable altitude tensioning
Optical Tube Dimensions	44" x 11.5" diameter
Optical Tube Weight	29.2 lbs.
Base dimensions	26.5" x 21" x 21"
Base weight	25.6 lbs.
Total Telescope Kit Weight	54.8 lbs.

SOLAR WARNING



- Never look directly at the Sun with the naked eye or with a telescope (unless you have the proper solar filter). Permanent and irreversible eye damage may result.
- Never use your telescope to project an image of the Sun onto any surface. Internal heat build-up can damage the telescope and any accessories attached to it.
- Never use an eyepiece solar filter or a Herschel wedge. Internal heat build-up inside the telescope can cause these devices to crack or break, allowing unfiltered sunlight to pass through to the eye.
- Never leave the telescope unsupervised. Make sure an adult who is familiar with the correct operating procedures is with your telescope at all times, especially when children are present.

WARNING: KEEP BATTERIES OUT OF REACH OF CHILDREN.

- Examine devices and make sure the battery compartment is correctly secured, e.g. that the screw or other mechanical fastener is tightened.
- Do not use if compartment is not secure.
- Dispose of used button batteries immediately and safely. Flat batteries can still be dangerous.
- Tell others about the risk associated with button batteries and how to keep their children safe.



celestron.com/pages/warranty

This device complies with Part 15 of the FCC Rules. Operation is subject to the following two conditions: (1) This device may not cause harmful interference, and (2) this device must accept any interference received, including interference that may cause undesired operation.

CAUTION: Changes or modifications not expressly approved by the party responsible for compliance could void the user's authority to operate the equipment.

NOTE: This equipment has been tested and found to comply with the limits for a Class B digital device, pursuant to part 15 of the FCC Rules. These limits are designed to provide reasonable protection against harmful interference in a residential installation.

This equipment generates, uses and can radiate radio frequency energy and, if not installed and used in accordance with the instructions, may cause harmful interference to radio communications. However, there is no guarantee that interference will not occur in a particular installation.

If this equipment does cause harmful interference to radio or television reception, which can be determined by turning the equipment off and on, the user is encouraged to try to correct the interference by one or more of the following measures:

- Reorient or relocate the receiving antenna.
- Increase the separation between the equipment and receiver.
- Connect the equipment into an outlet on a circuit different from that to which the receiver is connected.
- Consult the dealer or an experienced radio/TV technician for help.

Product design and specifications are subject to change without prior notification. This product is designed and intended for use by those 14 years of age and older.

Need assistance?

Contact Celestron Technical Support by visiting
celestron.com/pages/technical-support

celestron.com

© 2022 Celestron • All rights reserved • celestron.com
2835 Columbia Street • Torrance, CA 90503 U.S.A.



StarSense Explorer™ DOB



MODE D'EMPLOI

#22470 STARSENSE EXPLORER 8" DOBSONIEN

#22471 STARSENSE EXPLORER 10" DOBSONIEN

INTRODUCTION

Félicitations pour votre achat du télescope StarSense Explorer Dobsonien (SSE Dob). Votre SSE Dob combine de grands éléments optiques avec la base et l'application StarSense Explorer pour vous permettre de trouver et d'observer toutes sortes d'objets astronomiques facilement et facilement! Vous serez en mesure de localiser des objets du ciel profond: des galaxies, des nébuleuses, des amas d'étoiles et plus encore, et de les centrer dans le champ de vision de l'oculaire en quelques secondes. Le miroir principal est capable de capter une grande quantité de lumière, ce qui vous permet d'observer les objets en détails comme jamais avant.

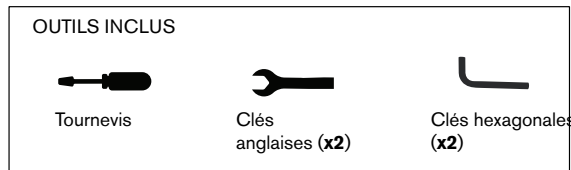
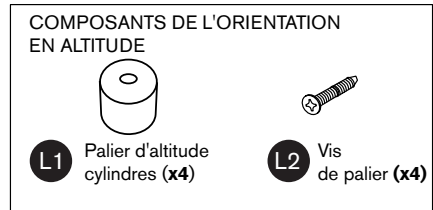
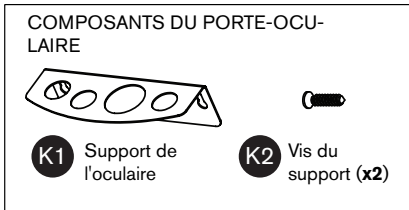
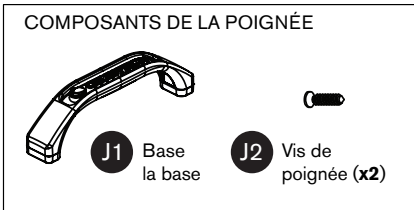
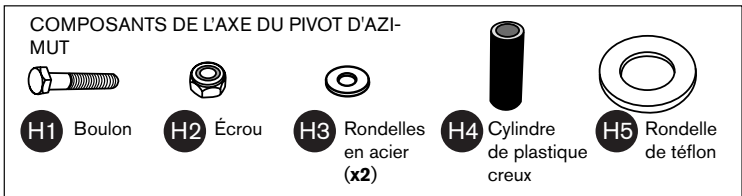
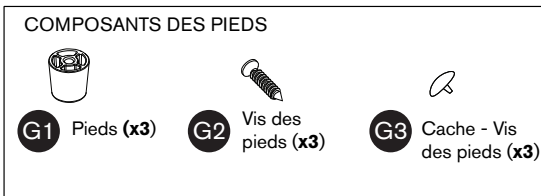
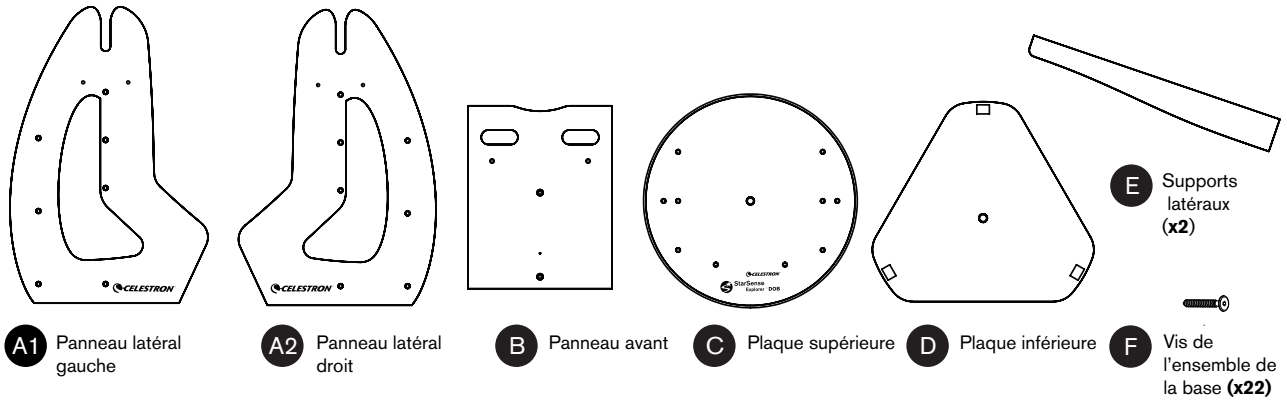
Avant de commencer une observation avec StarSense Explorer Dob en extérieur pour la première nuit, nous vous recommandons de lire ce manuel. Il vous aidera à mieux comprendre les caractéristiques de votre télescope et à savoir à quoi vous attendre.

TABLE DES MATIÈRES

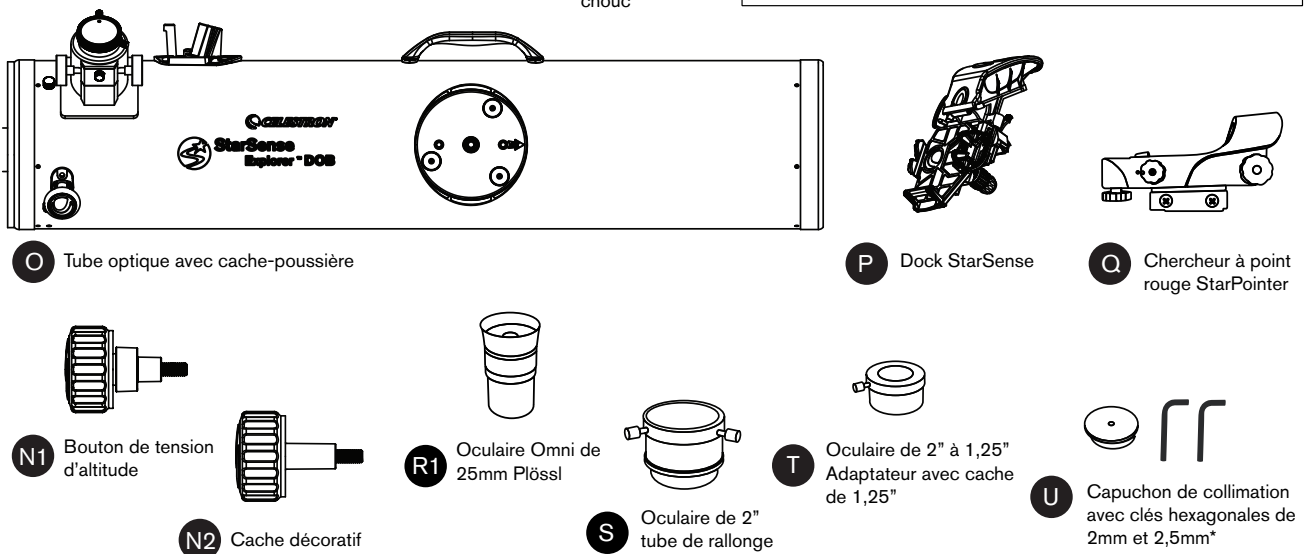
Contenu de la boîte	24
Assemblage de la monture	25
Assemblage du télescope.	26
Pointer le télescope	27
Mise au point	28
Utilisation de StarPointer	29
Station d'accueil StarSense Explorer et application	30
Détermination du grossissement et sélection des oculaires.	31
Refroidir les optiques de votre télescope.	31
Votre première observation en extérieur – À quoi vous attendre	32
Adaptation à l'obscurité et pollution légère.	33
Utilisation des filtres	33
Collimation des optiques	34
Transport.	36
Entretien et Maintenance	37
Spécifications du StarSense Explorer 8" Dobsonien	38
Spécifications du StarSense Explorer 10" Dobsonien.	39
Avertissement sur le Soleil	40

CONTENU DE LA BOÎTE

Boîte 1 - Base Dobsonienne



Boîte 2 - Composants du tube optique



Clé hexagonale *2,5mm incluse avec le Dob de 8" uniquement

REMARQUE: Pour collimer les optiques de votre télescope (p34)

ASSEMBLAGE DE LA MONTURE

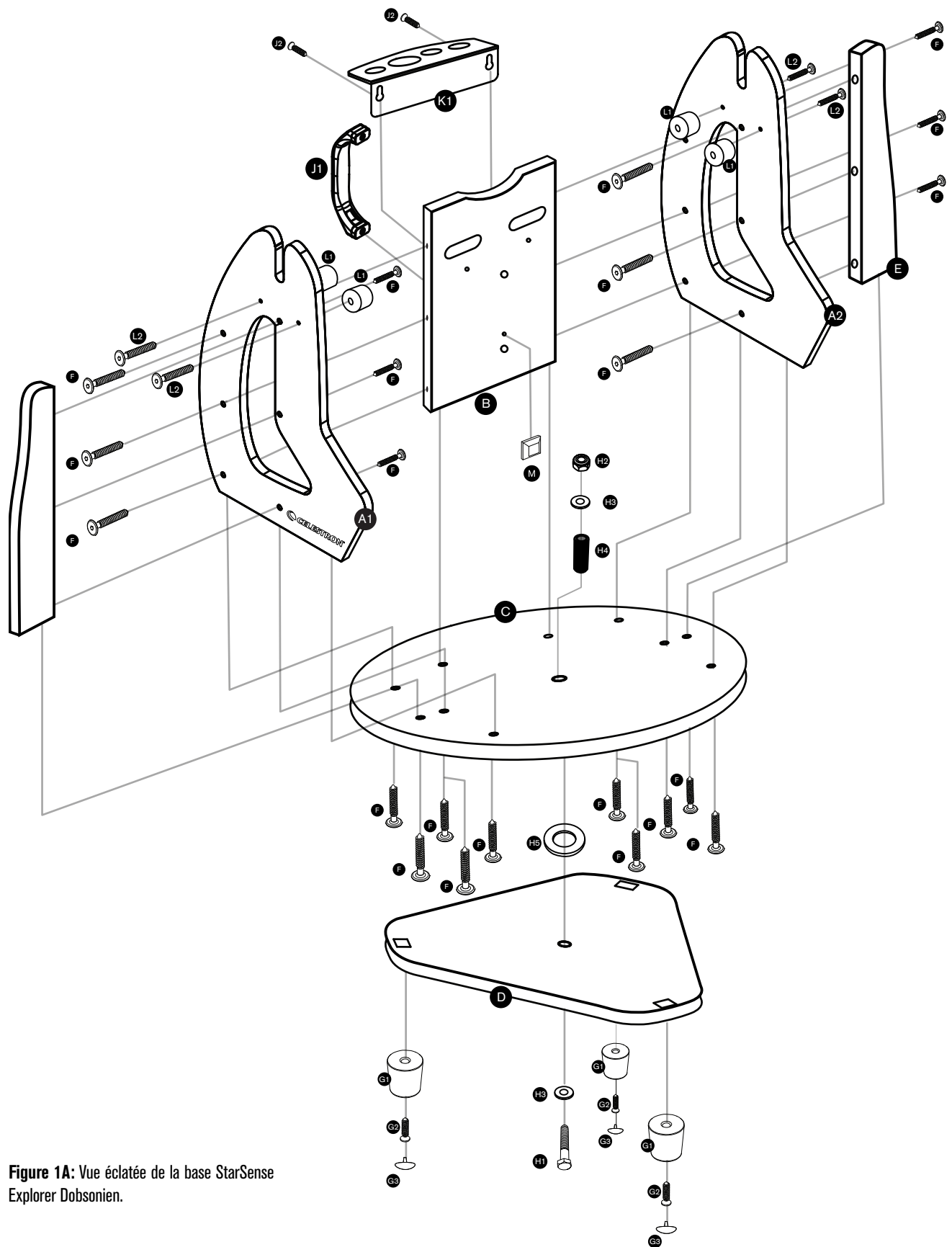


Figure 1A: Vue éclatée de la base StarSense Explorer Dobsonien.

ASSEMBLAGE DU TÉLESCOPE

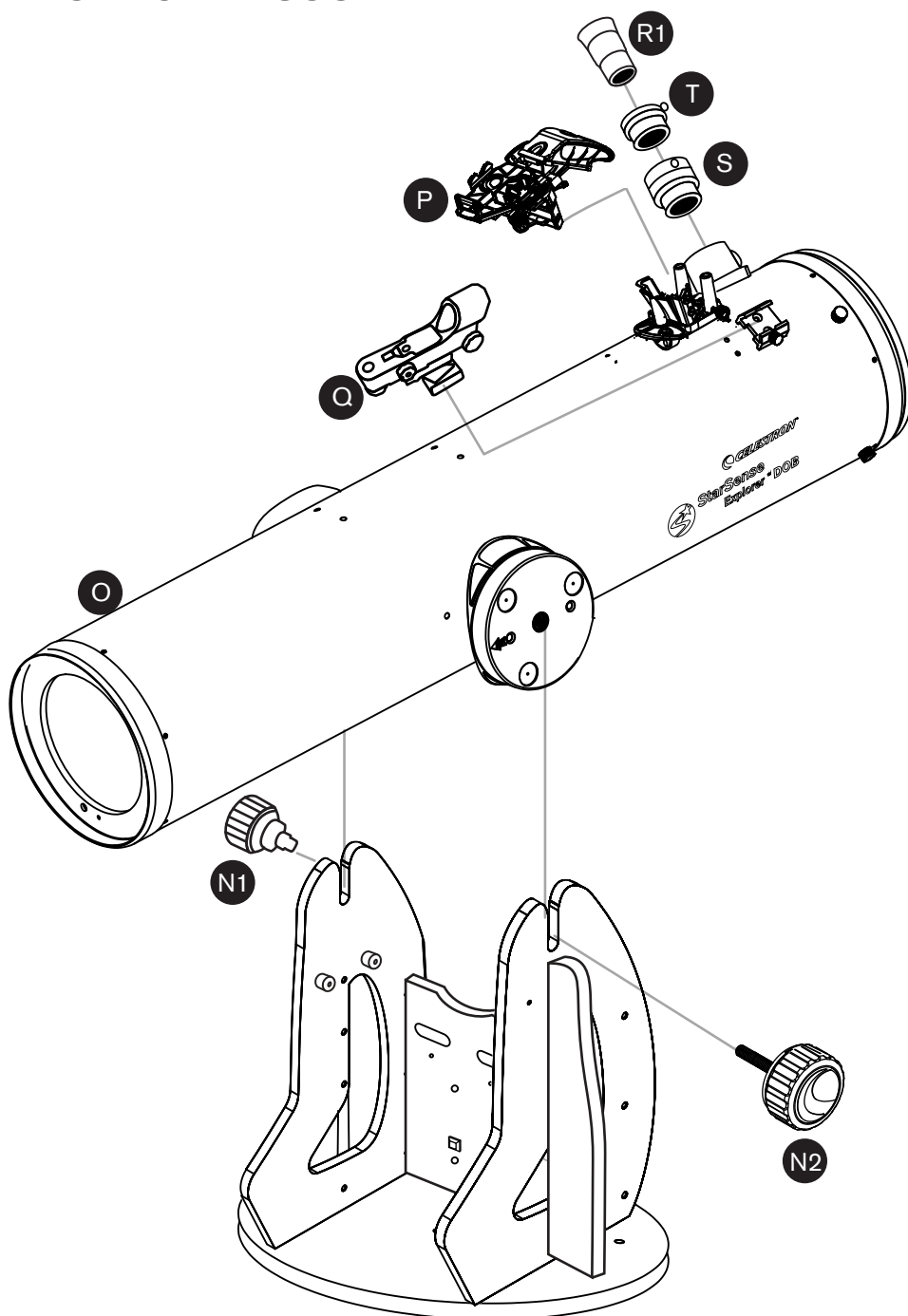


Figure 1B : Vue éclatée du tube optique StarSense Explorer

Reportez-vous à la figure 1 pour voir comment les composants de SSE Dob s'emboîtent.

Pour obtenir la liste complète des pièces et les instructions d'assemblage, consultez le guide de configuration rapide imprimé inclus dans la boîte ou la page produit du SSE Dob à l'adresse www.celestron.com

POINTER LE TÉLESCOPE

Les bases dobsoniennes sont des montures altazimutales. Cela signifie que le télescope se déplace dans deux directions: vers le haut et vers le bas (p. ex., en altitude) et de gauche à droite (p. ex., azimuth) (figure 2).



Figure 2: Les StarSense Explorer Dobsoniennes ont deux axes de mouvement: l'altitude (haut en bas) et l'azimut (de gauche à droite).

Il est facile de pointer votre Dob vers un objet. Il suffit de déplacer le tube télescope de haut en bas et de gauche à droite jusqu'à ce que le télescope soit dirigé vers l'objet désiré et que l'objet apparaisse dans l'oculaire du télescope. La poignée panoramique à l'avant du tube télescopique est pratique pour saisir le tube et le pointer (figure 3). Cette poignée empêche aussi la chaleur de votre main d'entrer dans le circuit optique, ce qui peut fausser temporairement l'observation.



(Figure 3). La poignée panoramique permet de tenir le télescope lorsque vous le pointez.

Vous pouvez régler la tension le long de l'axe d'altitude en tournant le bouton situé du même côté que le focaliseur du télescope — le bouton de tension d'altitude (Figure 4).



Figure 4: La tension du mouvement d'altitude peut être réglée à l'aide du bouton de tension d'altitude. **(REMARQUE:** l'autre bouton du côté opposé ne fonctionne pas pour régler la tension en altitude.)

Tournez le bouton pour ajouter suffisamment de tension et permettre un mouvement de haut en bas en douceur. Dans la plupart des cas, vous n'aurez pas besoin d'ajouter beaucoup de tension. Le télescope est équilibré pour une utilisation normale. Toutefois, si vous utilisez un oculaire lourd ou un téléphone intelligent plus grand, vous devrez peut-être augmenter la tension pour que le télescope reste stable quand vous n'y touchez pas.

MISE AU POINT

Les SSE Dobs sont livrés avec un système de focale Crayford de 2", un tube d'extension de 2" et un adaptateur d'oculaire de 2 à 1,25". Avec ces trois éléments, vous pouvez utiliser pratiquement n'importe quel oculaire de télescope avec la Dob du SSE.

Pour la plupart des oculaires, assurez-vous que le tube d'extension de 2" est en place dans le porte-oculaire. Si ce n'est pas le cas, l'oculaire n'atteindra pas la mise au point. Si vous utilisez un oculaire qui nécessite une grande distance de mise au point interne, retirez le tube de d'extension de 2". Vous devrez peut-être retirer le tube si vous tentez d'utiliser votre Dob avec une caméra d'imagerie astronomique.

Si vous souhaitez utiliser un oculaire au format 1,25", vous devrez utiliser l'adaptateur oculaire 2" à 1,25". Il suffit de le placer dans l'oculaire (avec un tube d'extension de 2" fixé), puis de placer l'oculaire de 1,25" dans l'adaptateur. Serrez les vis à main pour sécuriser l'oculaire en place. L'adaptateur utilise un anneau de compression interne en laiton pour éviter que le barillet de votre oculaire ne soit égratigné ou abîmé.

Pour faire la mise au point, tournez les boutons de mise au point dans le sens horaire ou antihoraire jusqu'à ce que l'objet dans l'oculaire du télescope soit correctement au point. Pour verrouiller la position du porte-oculaire en place une fois que vous avez atteint une mise au point nette, serrez la vis à oreilles du verrouillage de mise au point (Figure 5). Si vous devez régler la tension du bouton de mise au point, vous pouvez serrer ou desserrer la vis de réglage du système de focale à l'aide de la clé hexagonale fournie.



Figure 5: La vis à oreilles du verrouillage de mise au point verrouille le système de focale une fois la mise au point effectuée. La vis de réglage de la tension de mise au point règle la tension des boutons de mise au point.

Étant donné que le SSE Dob est un réflecteur Newtonien, les images que vous verrez apparaîtront comme vues dans un miroir et inversées par rapport à la vue directe (Figure 6). Bien que cela ait peu d'impact sur l'observation astronomique, cela peut être un peu déroutant lorsque vous regardez des objets terrestres.



VUE À L'ŒIL NU



VUE À TRAVERS UN TÉLESCOPE À RÉFLECTEUR NEWTONIEN

Figure 6: Comme tous les réflecteurs Newtonien, les SSE Dob produisent des images qui semblent inversées et retournée par rapport à l'observation à l'œil nu.

UTILISATION DU STARPOINTER

Bien que vous n'ayez pas besoin de vous fier au chercheur à point rouge StarPointer lorsque vous utilisez l'application StarSense Explorer, elle peut vous aider à aligner l'application avec le télescope. Le StarPointer est aussi très pratique lorsque vous repérez des objets durant la journée, puisque l'application fonctionne uniquement sous les étoiles la nuit.

Pour aligner le StarPointer, pointez d'abord le télescope vers un objet situé à au moins 1/4 mille de distance. Nous vous recommandons d'effectuer l'alignement pendant la journée. Choisissez un arbre, une affiche, un bâtiment ou un autre point d'intérêt distant. Si vous effectuez l'alignement de nuit, vous pouvez utiliser un lampadaire, la lune, une étoile ou une planète brillante.

Une fois que vous avez pointé le télescope vers l'objet, assurez-vous qu'il apparaît dans l'oculaire. Ensuite, activez le StarPointer à l'aide du cadran à DEL (figure 7).

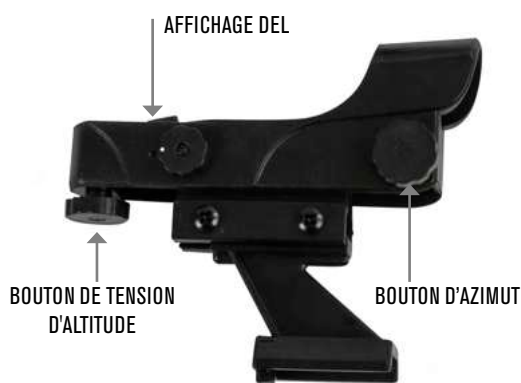


Figure 7: Chercheur à point rouge StarPointer

Montez le niveau de luminosité jusqu'à ce que vous voyiez facilement le point rouge. Maintenant, sans bouger le télescope, utilisez l'altitude du StarPointer et les boutons de réglage azimut pour centrer le point rouge sur le même objet que vous avez centré dans l'oculaire télescope. Lorsque vous avez terminé, assurez-vous que l'objet est toujours centré dans l'oculaire de télescope. Si c'est le cas, vous avez terminé l'alignement du StarPointer. Si ce n'est pas le cas, orientez le télescope de façon à ce que l'objet de l'oculaire du télescope soit centré de nouveau. Continuez à utiliser les boutons de réglage de l'altitude et de l'azimut du StarPointer pour centrer à nouveau le point rouge sur l'objet.

Éteignez le StarPointer lorsque vous ne l'utilisez pas pour économiser sa pile. Bien que la pile de StarPointer dure longtemps, elle devra au bout d'un moment être remplacée par une pile bouton au lithium CR2032 3V. Ces produits sont très courants et offerts par une grande variété de détaillants.

Pour remplacer la pile:

1. À l'aide d'un tournevis cruciforme, retirez la vis de fixation du couvercle du compartiment des piles (figure 8).



Figure 8: Pour ouvrir le couvercle de la pile du StarPointer, retirez d'abord la vis de fixation.

2. Retirez la pile déchargée du compartiment de la pile. Vous devrez peut-être utiliser un couteau ou un tournevis pour extraire la pile de son support.
3. Insérez la nouvelle pile de façon à ce que le côté positif soit visible pour vous. Assurez-vous que la pile est bien insérée dans le compartiment de la pile (figure 9).



Figure 9: Lorsque la pile est correctement insérée dans le compartiment, comme illustré, le couvercle du compartiment de la pile doit être facile à réinstaller.

4. Fermez le compartiment de la pile et réinstallez la vis de fixation.

STATION D'ACCUEIL ET APPLICATION STARSENSE EXPLORER

La fonction la plus intéressante de StarSense Explorer Dobsonien est probablement la station d'accueil StarSense Explorer et l'application StarSense Explorer pour téléphone intelligent. Avec l'application pour vous guider, vous passerez plus de temps à observer des objets qu'à essayer de les trouver parmi la myriade d'étoiles au-dessus de vous! Le système d'exploration StarSense Explorer de Celestron est le seul système dobsonien qui intègre cette fonction incroyable.

Pour commencer, téléchargez et installez l'application à partir de l'App Store d'Apple (iOS) ou de Google Play (Android). Vous y trouverez également les exigences système minimales. Si vous avez des questions sur la compatibilité de votre téléphone intelligent avec l'application, veuillez visiter le site celestron.com/SSE

Une fois l'application téléchargée, utilisez le code de déverrouillage de l'application que vous trouverez sur la carte imprimée fournie avec votre télescope (figure 10).

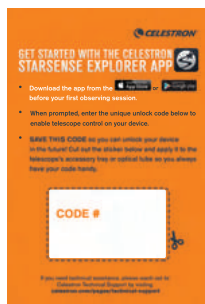


Figure 10: Le code de déverrouillage de l'application StarSense Explorer est imprimé sur la carte fournie avec votre télescope

Chaque code peut permettre à jusqu'à cinq appareils d'utiliser la fonctionnalité StarSense Explorer. Si vous utilisez le code les cinq fois disponibles et que vous souhaitez déverrouiller l'application sur plus d'appareils, veuillez communiquer avec le soutien technique de Celestron à l'adresse celestron.com/pages/technical-support pour obtenir des options.

Lorsque l'application est déverrouillée, vous êtes prêt à commencer. Placez votre téléphone intelligent sur la base StarSense Explorer et appuyez sur l'icône StarSense au bas de l'écran planétarium (figure 11).

Choisissez l'option « ALIGNEMENT REQUIS » et suivez les invites à l'écran pour aligner l'appareil photo du téléphone intelligent avec le télescope. Une fois cette procédure terminée, vous pouvez utiliser l'application pour localiser des objets.

Sélectionnez un objet à afficher dans le planétarium ou dans la liste « Le meilleur de cette nuit ». Des flèches apparaissent à l'écran pour vous guider vers l'objet. Suivez les flèches jusqu'à ce que la cible devienne verte et que l'objet se trouve dans le champ de vision de votre télescope. C'est aussi simple que ça!

Pendant que vous observez, vous pouvez lire des informations détaillées sur l'objet. Des centaines d'objets les plus populaires disposent également d'une présentation audio. Pour en écouter, appuyez sur la barre au bas de l'écran qui contient le nom de l'objet (figure 12)



ICÔNE STARSENSE

Figure 11: Une fois que vous avez déverrouillé l'application StarSense Explorer, appuyez sur l'icône StarSense pour commencer à trouver des objets.



Figure 12: Appuyez sur la barre d'information de l'objet pour recevoir des informations supplémentaires sur l'objet sélectionné, y compris des images et des exposés audio pour un grand nombre d'entre eux.

DÉTERMINATION DE L'AGRANDISSEMENT ET SÉLECTION DES OCULAIRES

Pour changer le grossissement du télescope, vous devrez changer l'oculaire du focalisateur du télescope. Pour calculer le grossissement que vous pouvez obtenir avec un oculaire donné, utilisez cette formule :

$$\begin{aligned} & \text{Longueur focale du télescope} \div \\ & \text{Longueur focale de l'oculaire} \\ & = \text{grossissement} \end{aligned}$$

Le SSE Dobs a une longueur focale de 1200mm. Ils sont dotés d'un oculaire Omni Plösslun de 25mm. Avec cette formule, nous pouvons calculer que cette combinaison donne un grossissement de 48x (1200mm \div 25mm = 48x).

Il s'agit d'un excellent facteur de grossissement pour repérer et observer les objets à champ large du ciel profond. Vous pourriez envisager l'achat d'un oculaire à grossissement plus élevé, comme un Omni Plössl 10mm, pour des vues plus puissantes de la lune et des planètes. N'augmentez pas trop le grossissement, sinon la vue pourrait se dégrader en raison des conditions de vision atmosphérique (p. ex., les turbulences atmosphériques).

Le grossissement maximal pour tout télescope est d'environ 60 fois par pouce, ce qui équivaut à 480x pour le SSE Dob de 8 pouces et à 600x pour le SSE Dob de 10 pouces. Cependant, dans de nombreux endroits, il sera difficile d'obtenir des images nettes avec un grossissement de plus de 100x en raison des turbulences atmosphériques au-dessus de vous. Si vous remarquez que les étoiles au-dessus de vous scintillent fortement, les conditions de vision sont mauvaises. Vous devriez vous en tenir à un grossissement plus faible. Si les étoiles semblent briller sans scintillement, les conditions de vision sont bonnes. Vous pouvez essayer d'utiliser des oculaires à grossissement élevé.

Les porte-oculaires se peuvent accepter les oculaires de format 1,25" et 2". Les oculaires de 2" offrent généralement un champ de vision plus large, mais ils peuvent coûter beaucoup plus cher. Pour utiliser un oculaire de 2", retirez l'adaptateur de 2" à 1,25" du porte-oculaire et insérez l'oculaire directement dans le tube d'extension de 2". Fixez l'oculaire à l'aide des vis de serrage du tube de rallonge de 2".

Le support d'oculaire situé à l'avant de la base offre un endroit pratique pour ranger les oculaires lorsqu'ils ne sont pas utilisés. Il peut accepter trois oculaires de 1,25" et un oculaire de 2" (figure 13).



Figure 13: Le support d'oculaire est un endroit pratique pour ranger des oculaires supplémentaires pendant votre séance d'observation.

REFROIDIR LES OPTIQUES DE VOTRE TÉLESCOPE

Vous obtiendrez les meilleures observations à travers votre télescope lorsqu'il aura atteint l'équilibre thermique avec l'air ambiant. Si le télescope est plus chaud que l'air extérieur, le miroir s'acclimatera à la température et sa forme changera. Les images que vous voyez dans un télescope qui n'a pas refroidi ne seront pas aussi nettes. Si vous sortez votre télescope d'une maison chauffée à l'extérieur, attendez environ une heure avant pour qu'il produise les images les plus nettes possibles. C'est pourquoi nous vous recommandons de ranger votre télescope dans un endroit sec mais non chauffé, comme un garage ou une remise.

Pour le SSE Dob 10", un ventilateur de refroidissement USB est offert en option. Il se monte à l'arrière de la cellule du miroir et souffle de l'air sur ce dernier pour accélérer le refroidissement (figure 14).

Le ventilateur aidera les éléments optiques à atteindre l'équilibre thermique plus rapidement. (Les SSE Dob de 8" ne possède pas de support de ventilateur, et ne sont pas compatibles avec le ventilateur de refroidissement.)



Figure 14: Le ventilateur de refroidissement USB optionnel pour Dobsonians est compatible avec le DSE Dob 10".

VOTRE PREMIÈRE OBSERVATION EN EXTÉRIEUR – À QUOI VOUS ATTENDRE

Vous pouvez observer littéralement des milliers d'objets avec la plus grande ouverture des SSE Dob:

La Lune

Observer la surface lunaire est un excellent point de départ. Vous verrez facilement des cratères, les marias, les lacus, les vallées, les montagnes, et d'autres points d'intérêt. La lune est si lumineuse que vous pourriez envisager d'utiliser un filtre lune en option. Il se fixe au fond de l'oculaire pour réduire l'intensité de l'image. Nous recommandons également un oculaire à puissance plus élevée pour vous aider à explorer la Lune de près.

Planètes

Les meilleures planètes à observer sont Jupiter, Saturne, Mars et Vénus. Un oculaire plus puissant fera ressortir les détails les plus subtils. Vous serez en mesure de voir les anneaux de Saturne, les détails de surface sur Jupiter avec ses lunes, les phases de Vénus, et peut-être quelques détails de la surface sur Mars si elle est proche de l'opposition (c'est-à-dire lorsqu'elle est la plus proche de la Terre).

Étoiles et étoiles Doubles

Les étoiles apparaîtront comme des points lumineux, peu importe le grossissement utilisé. Toutefois, un télescope peut révéler la couleur d'une étoile et aussi des étoiles doubles « séparées » en utilisant des grossissements plus élevés. Pour les étoiles variables, voyez si vous pouvez détecter le changement de luminosité d'une étoile sur une période de jours ou de semaines.

Amas d'étoiles Ouverts

Ce sont des groupes d'étoiles qui se sont formés en groupe dans notre galaxie de la voie lactée. Ils peuvent sembler spectaculaires dans l'oculaire du télescope, même dans un ciel plutôt pollué par la lumière. Les astronomes décrivent souvent un amas d'étoiles comme ressemblant à des « diamants poudrés sur du velours noir » dans l'oculaire du télescope. Les amas sont généralement mieux vus avec des oculaires à faible puissance, car ils nécessitent habituellement un grand champ de vision pour voir leur ensemble.

Amas d'étoiles Globulaires

Ce sont des amas serrés de centaines de milliers d'étoiles qui sont entrées en coalescence au début de la formation de notre galaxie. Ces amas ressemblent à des globes de lumière. Les plus brillants peuvent être vus en étoiles individuelles dans de bonnes conditions. La plupart des amas globulaires sont mieux observés avec un oculaire de puissance moyenne, car ils ne sont pas aussi larges que des amas ouverts, mais pas assez brillants pour l'observation à puissance élevée non plus.

Nébuleuses

Vous devrez généralement observer sous un ciel sombre pour voir des nébuleuses gazeuses, qui apparaissent comme une faible lueur autour des étoiles. Ne vous attendez pas à repérer une nébulosité dans un ciel urbain, sauf pour les plus brillantes, comme la nébuleuse d'Orion et la nébuleuse du Lagon.

Galaxies

Parmi les plus fascinants de tous les objets observables, les galaxies sont comme des « univers insulaires ». Bien que vous puissiez observer les galaxies les plus brillantes, comme la galaxie d'Andromède dans un ciel un peu pollué, elles sont mieux observées dans les cieux sombres. Littéralement, des centaines de galaxies sont à portée d'observation d'un SSE Dob. Les meilleures présentent des détails en finesse, comme des bras en spirale pâles et des bandes de poussière. Beaucoup, cependant, apparaissent comme des « stries » non stellaires ou « taches ». Même si c'est le cas, être en mesure de détecter la lumière d'une autre galaxie à l'extérieur de notre propre galaxie est une expérience gratifiante en soi.

Il faut garder à l'esprit que les SSE Dob se ne sont pas motorisés. Cela signifie qu'ils ne peuvent pas automatiquement effectuer le suivi des objets célestes à mesure que la Terre tourne. Par conséquent, vous remarquerez que les objets dérivent un peu pendant que vous les observez et sortiront du champ de vision de l'oculaire en l'espace d'une minute ou deux, selon le grossissement que vous utilisez. Les objets sortent du champ des oculaires plus puissants plus rapidement, car leur champ de vision est plus étroit. Vous devrez pousser orienter le Dob pour garder les objets centrés au fil du temps. Ce n'est pas difficile. Saisissez la poignée de panoramique du télescope et déplacez-le légèrement de haut en bas et de gauche à droite au besoin.

ADAPTATION À L'OBSCURITÉ ET POLLUTION LÉGÈRE

Il faut au moins une demi-heure à l'œil humain pour s'adapter à l'obscurité, alors ne vous attendez pas immédiatement à repérer des détails subtils dans des objets sombres immédiatement après être sorti. Pendant que vous observez, évitez les lumières fortes (comme par exemple en sortant d'une maison éclairée) ou votre adaptation à l'obscurité devra prendre le temps de se redéclencher. Utilisez des lampes de poche rouges conçues pour l'observation astronomique, car la lumière rouge n'affectera pas grandement votre vision nocturne. La Lune affectera également votre adaptation à l'obscurité, donc si vous observez directement la Lune, il vous faudra un moment de réadaptation.

La pollution de la lumière locale diminuera considérablement l'apparence et le contraste des objets les plus pâles dans le télescope. Ne vous attendez pas à voir beaucoup de détails dans les cieux urbains. Vous obtiendrez une vue optimale des endroits sombres loin des lumières de la ville ou de la banlieue. Les objets brillants comme la Lune, les planètes et les amas d'étoiles ouverts lumineux ne sont pas autant affectés par la pollution lumineuse, donc ils font de bons objets pour une observation depuis votre jardin, peu importe où vous êtes. Gardez aussi à l'esprit que la Lune elle-même peut illuminer une grande partie du ciel nocturne, empêchant ainsi les objets pâles d'apparaître. Alors, planifiez votre observation des zones sombres du ciel lorsque la Lune n'est pas présente.

UTILISATION DES FILTRES

Essayez d'ajouter des filtres optionnels à votre configuration pour améliorer l'observation. Les filtres astronomiques se fixent au fond de votre oculaire et sont généralement disponibles aux tailles 1,25" et 2". Il suffit de retirer l'oculaire du porte-oculaire, de placer le filtre sur le fond du barillet de l'oculaire, puis de le réinsérer dans le porte-oculaire.

Il existe de nombreux filtres utiles parmi lesquels choisir:

Filtre lunaire – essentiel pour voir les détails lunaires, ce filtre réduit les reflets et atténue les objets lumineux.

Filtre polarisant variable – comme un filtre lunaire, un filtre polarisant réduit la luminosité de la vue. La principale différence est que vous pouvez personnaliser l'ampleur de l'effet de réduction de la luminosité en tournant le filtre polarisant.

Filtres de couleur – offerts dans une variété de couleurs, ils peuvent améliorer le contraste lors de l'observation de détails planétaires.

Filtres de pollution lumineuse – si vous regardez des objets du ciel profond sous des cieux urbains ou de banlieue, ils améliorent le contraste en bloquant la lumière « parasite » de la pollution lumineuse locale et en laissant passer la « bonne lumière » des objets du ciel profond. Vous remarquerez la plus grande amélioration du contraste lors de l'observation des nébuleuses.

COLLIMATION DES OPTIQUES

La collimation est le processus d'alignement de l'optique du télescope. Les Dobsoniens utilisent un réflecteur optique newtonien, qui est composé d'un miroir primaire parabolique et d'un miroir secondaire plat. Pour assurer un rendement optimal, vous devez vérifier périodiquement l'alignement des éléments optiques. Pour vous aider, nous avons inclus un capuchon de collimation spécial. De plus, le miroir primaire est marqué au centre d'une étiquette autocollante pour faciliter la collimation.

Pour vérifier l'alignement des miroirs, retirez d'abord les oculaires. Assurez-vous que l'adaptateur 2" à 1,25" est installé dans le porte-oculaire. Puis, placez le capuchon de collimation dans le système de focalisation (figure 15).



Figure 15: Pour vérifier l'alignement des miroirs, utilisez le capuchon de collimation inclus dans le système de focalisation.

Regardez par le petit trou au centre du capuchon de collimation. La vue devrait être comme montré dans la figure 16. Si ce n'est pas le cas, vous devrez ajuster l'alignement des miroirs.

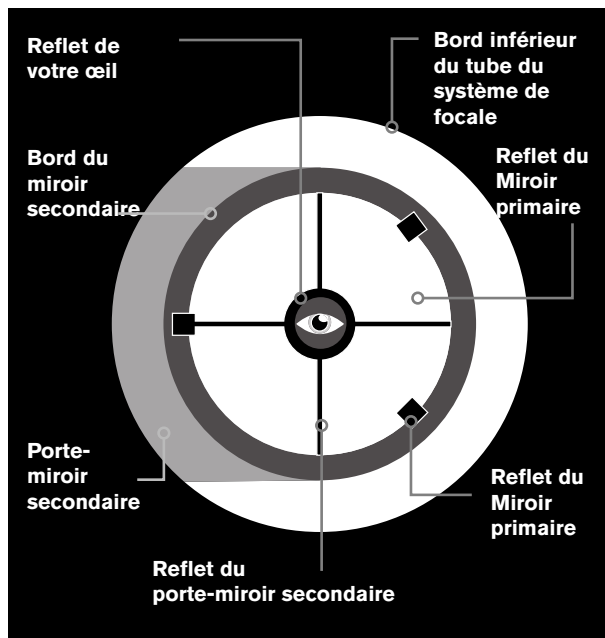


Figure 16: Si votre télescope est bien aligné, la vue à travers le capuchon de collimation devrait être comme montré dans la figure ci-dessus.

Il est plus facile d'effectuer la collimation d'un télescope pendant la journée avec le télescope pointé vers un mur sans décoration. Cela permet d'obtenir une vue à contraste élevé, ce qui facilite la détermination des ajustements à faire. Utilisez la ou les clés hexagonales fournies pour effectuer les réglages. Le SSE Dob de 8" comprend des clés hexagonales de 2mm et 2,5mm. Le SSE Dob de 10" est fourni avec une seule clé hexagonale de 2mm. Pour le SSE Dob de 8", vous devrez également utiliser le tournevis cruciforme fourni.

Tout d'abord, réglez le miroir secondaire à l'avant du télescope à l'aide de la clé hexagonale de 2mm.

1. Vous devriez être en mesure de voir le reflet de l'ensemble du miroir principal centré dans le miroir secondaire, comme illustré à la figure 16.

Si ce n'est pas le cas (comme dans la figure 17, par exemple), utilisez les trois vis de réglage à tête creuse du support de miroir secondaire pour régler l'inclinaison du miroir secondaire (figure 18).

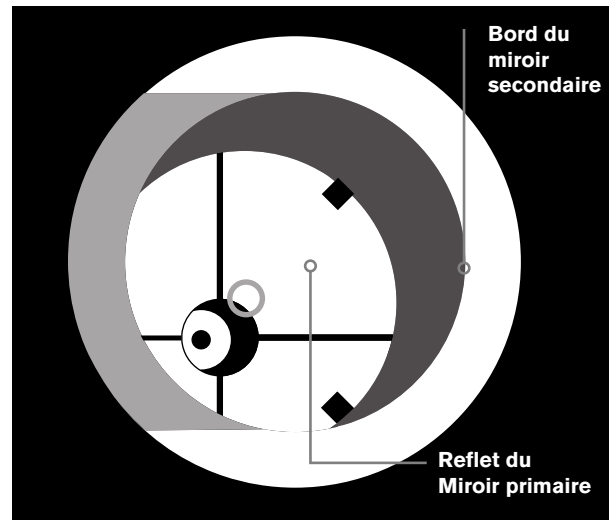


Figure 17: Si le reflet du miroir principal n'est pas centré dans le miroir secondaire comme illustré ci-dessus, vous devrez régler l'inclinaison du miroir secondaire.



Figure 18: Les trois vis à tête creuse de réglage du miroir secondaire permettent de régler l'inclinaison du miroir secondaire.

- a. Réglez une vis de pression à la fois. Faites seulement de petits ajustements.
 - b. Si une vis de réglage devient trop serrée ou trop desserrée, ajuster les autres vis pour compenser.
2. Continuez de régler les vis jusqu'à ce que le miroir principal apparaisse centré dans le miroir secondaire (figure 19). Lorsque vous avez terminé, assurez-vous que les trois vis de réglage sont bien serrées.

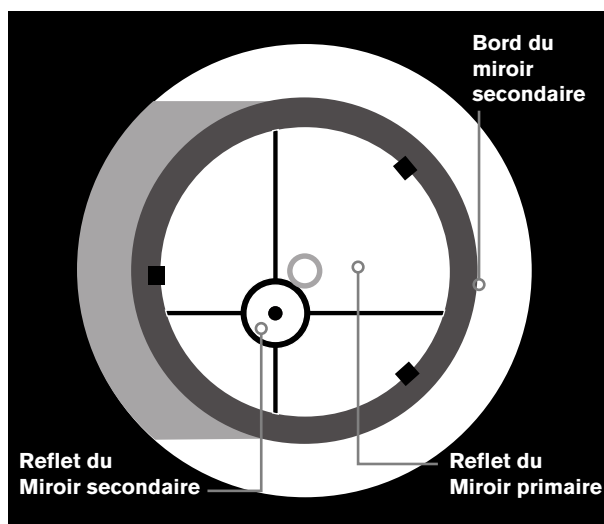


Figure 19: Continuez de régler l'inclinaison du miroir secondaire jusqu'à ce que le reflet du miroir principal soit centré, comme illustré ci-dessus.

- 3. Ensuite, réglez l'inclinaison du miroir principal jusqu'à ce que le reflet du miroir secondaire soit centré dans le reflet du miroir principal.

Pour le Dobsonien de 8", utilisez la clé hexagonale de 2,5mm et le tournevis cruciforme pour incliner le miroir principal. Il se trouve trois paires de vis de collimation. Chaque paire travaille de concert pour régler l'inclinaison.

- a. Ajustez une paire de vis à la fois. Commencez par desserrer une des vis de la paire et serrer l'autre (figure 20).



Figure 20: Pour le Dob de 8", trois jeux de vis de réglage dans la cellule du miroir permettent de régler l'inclinaison du miroir principal. Desserrez une vis de la paire et serrez l'autre pour régler l'inclinaison.

- b. Si le miroir s'incline dans la direction voulue, desserrez la vis que vous avez déjà serrée et serrez l'autre vis dans la paire.
- c. Une fois que vous avez ajusté une paire de vis autant que possible, passez à une autre paire de vis.
- d. Continuez le réglage jusqu'à ce que le reflet du miroir secondaire soit centré dans le reflet du miroir principal. Lorsque vous avez terminé, la vue au travers du capuchon de collimation devrait être comme montré dans la figure 16.

Pour le Dobsonien de 10", vous n'aurez pas besoin d'outils pour incliner le miroir principal. Vous n'avez qu'à ajuster les vis à main. Trois des vis à main sont utilisées pour le verrouillage, tandis que les trois autres permettent de régler l'inclinaison.

- a. Commencez par desserrer les trois vis à main de verrouillage (figure 21).



Figure 21: Pour le Dob de 10", il se trouve trois vis de serrage à ressort qui règlent l'inclinaison du miroir principal. Les trois autres vis à main verrouillent le miroir en place une fois les réglages d'inclinaison terminés.

- b. Réglez les vis à main de collimation une à la fois. Chaque vis de serrage comporte un ressort, ce qui vous permet de la faire pivoter dans le sens des aiguilles d'une montre ou dans le sens contraire des aiguilles d'une montre.
- c. Continuez de régler les vis jusqu'à ce que le reflet du miroir secondaire soit centré dans le reflet du miroir principal.
- d. Resserrez les trois vis à main de verrouillage jusqu'à ce qu'elles soient bien ajustées.
- e. Lorsque vous avez terminé, la vue à travers le capuchon de collimation devrait être comme montré dans la figure 16.

Les éléments optiques de votre télescope sont maintenant alignés et prêts à être utilisés. Vous pouvez également confirmer l'alignement d'un télescope de nuit en pointant le télescope vers une étoile lumineuse à un grossissement élevé. Centrez l'étoile dans le champ de vision et réduisez la mise au point sur l'étoile légèrement; elle devrait apparaître comme un cercle avec un trou au milieu. (Le « trou » est l'ombre du miroir secondaire.) Si le trou n'est pas centré dans le cercle, vous devrez effectuer des ajustements supplémentaires pour la collimation (figure 22).

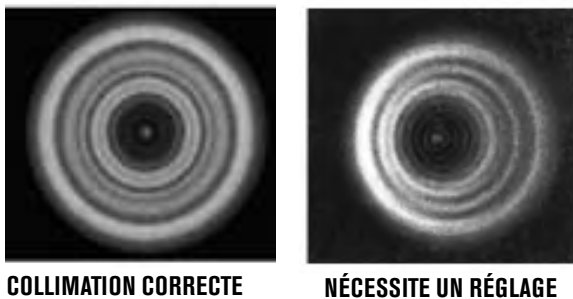


Figure 23: Pour retirer le miroir principal du tube du télescope et le nettoyer, retirez d'abord les vis situées juste au-dessus de la cellule du miroir.

TRANSPORT

Transporter le StarSense Explorer Dobsonien est facile, surtout compte-tenu de sa taille. Tout d'abord, retirez le tube télescopique de la base en desserrant le bouton de tension de l'altitude et en soulevant le tube télescopique. Vous pouvez transporter le tube et la base séparément grâce à leurs poignées intégrées. Les poignées sont positionnées pour équilibrer la charge, alors aucun des composants ne devrait être encombrant.

ENTRETIEN ET MAINTENANCE

Rangez le télescope à l'intérieur dans un endroit sec. Un garage est idéal; il gardera les éléments optiques près de la température extérieure ambiante pour que les ces derniers ne prennent pas autant de temps à s'acclimater. Gardez le cache-poussière installé sur l'avant du télescope et le capuchon sur le porte-oculaire lorsque le télescope n'est pas utilisé. Sinon, la poussière et les particules peuvent s'accumuler sur l'optique.

Si le télescope est humide de rosée, séchez l'extérieur du tube télescopique et la base avec une serviette avant de le ranger. Bien qu'une petite quantité d'eau à l'extérieur du tube et de la base n'endommagera pas le télescope, le rangement en environnement humide à long terme pourrait causer de la corrosion ou des dommages causés par l'eau. La base en bois est recouvert de surfaces en mélamine scellées. Toutefois, l'eau peut s'infiltrer dans les fissures si elle est laissée humide pendant l'entreposage.

Il est normal que certaines poussières et particules s'accumulent sur le miroir principal au fil du temps. Cela n'aura aucun effet sur les performances optiques. Cependant, si le miroir principal devient excessivement sale, vous devez le nettoyer.

Pour nettoyer le miroir principal:

1. Retirez la cellule du miroir principal du tube du télescope en retirant les vis du tube juste au-dessus de la cellule du miroir (figure 23). Vous aurez besoin du tournevis cruciforme pour le faire.

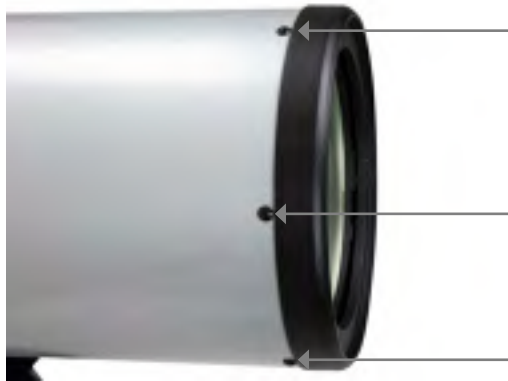


Figure 23 : Pour retirer le miroir primaire du tube du télescope pour le nettoyer, retirez d'abord les vis situées juste au-dessus de la cellule du miroir

2. Retirez soigneusement la cellule du miroir du tube.
3. La surface du miroir est maintenant exposée pour être nettoyée. Nous recommandons de laisser le miroir principal dans sa cellule pendant le nettoyage.
4. Utilisez une poire et une brosse de nettoyage pour éliminer les plus grosses particules et la poussière. Dans certains cas, ce sera tout le nettoyage nécessaire.

5. Pour enlever les marques et les graisses, utilisez du liquide de nettoyage de lentille et du tissu de nettoyage de lentille pour nettoyer la surface du miroir. Appliquez le liquide sur le tissu et essuyez délicatement la surface du miroir. Effectuez des mouvements droits (c.-à-d. du centre du miroir jusqu'au bord). Utilisez un nouveau mouchoir à chaque mouvement. Évitez de frotter, car cela peut généralement étaler répandre les graisses plutôt que de les enlever.

6. Une fois le miroir propre, réinstallez la cellule du miroir dans le tube du télescope et remplacez les vis.

Le miroir secondaire ne devient pas sale, car sa surface optique est orientée vers le bas. Cependant, si elle doit être nettoyée, elle peut être nettoyée de la même façon que le miroir principal. Il n'est pas nécessaire de retirer le miroir secondaire du télescope pour le nettoyer. Pointez le télescope horizontalement pendant le nettoyage pour éviter qu'il ne tombe sur le miroir principal.

Vous pouvez nettoyer les surfaces optiques exposées de vos oculaires de la même manière que celle décrite ci-dessus.

SPÉCIFICATIONS

#22470 Starsense Explorer 8" Dobsonien

Type d'optiques	Réflecteur newtonien
Ouverture	8" (203mm)
Longueur de focale	1200mm
Ratio de focale	F/5.9
Revêtements optiques	Revêtements réfléchissants XLT à base de dioxyde de silicium et revêtements protecteurs au péroxide de tantale pour les miroirs primaires et secondaires
Matériau du miroir	Équivalent Pyrex pour miroirs primaires et secondaires
Épaisseur du miroir principal	25mm (rapport d'épaisseur d'environ 1:8)
Épaisseur du miroir secondaire	8,5mm
Axe mineur du miroir secondaire	47mm
Matériau du tube	Acier
Système de mise au point	Crayford 2", comprend un tube de rallonge de 2" et un adaptateur de 2" à 1,25"
Oculaire/grossissement	Plössl 25mm, 48x
Chercheur	Chercheur à point rouge StarPointer
Autres accessoires	Station d'accueil StarSense Explorer, support pour oculaires, capuchon de collimation, Poignées de transport pour l'OTA et la base, poignée de pointage et pare-poussière
Trépied	Base altazimutale Dobsonien, tension de l'altitude réglable
Dimensions du tube optique	44" x 9,5" de diamètre
Poids du tube optique	20,6 lbs.
Dimensions de la base	27" x 19" x 19"
Poids de la base	22,8 lbs.
Poids total de l'ensemble du télescope	43,4 lbs.

SPÉCIFICATIONS

#22471 Starsense Explorer 10" Dobsonien

Type d'optiques	Réflecteur newtonien
Ouverture	10" (254mm)
Longueur de focale	1200mm
Ratio de focale	F/4.7
Revêtements optiques	Revêtements réfléchissants XLT à base de dioxyde de silicium et revêtements protecteurs au péroxide de tantale pour les miroirs primaires et secondaires
Matériau du miroir	Équivalent Pyrex pour miroirs primaires et secondaires
Épaisseur du miroir principal	30mm (rapport d'épaisseur d'environ 1:8,5)
Épaisseur du miroir secondaire	11,5mm
Axe mineur du miroir secondaire	64mm
Matériau du tube	Acier
Système de mise au point	Crayford 2", comprend un tube de rallonge de 2" et un adaptateur de 2" à 1,25"
Oculaire/grossissement	Plössl 25mm, 48x
Chercheur	Chercheur à point rouge StarPointer
Autres accessoires	Station d'accueil StarSense Explorer, support pour oculaires, capuchon de collimation, Poignées de transport pour l'OTA et la base, poignée de pointage et pare-poussière
Trépied	Base altazimutale Dobsonien, tension de l'altitude réglable
Dimensions du tube optique	44" x 11,5" de diamètre
Poids du tube optique	29,2 lbs.
Dimensions de la base	26,5" x 21" x 21"
Poids de la base	25,6 lbs.
Poids total de l'ensemble du télescope	54,8 lbs.

⚠️ AVERTISSEMENT SUR LE SOLEIL



- Ne regardez jamais directement le Soleil à l'œil nu ou dans un télescope sans un filtre solaire adéquat. Cela peut causer des lésions oculaires permanentes et irréversibles.
- N'utilisez jamais le télescope pour projeter l'image du Soleil sur n'importe quelle surface. Une concentration de chaleur dangereuse peut être générée à l'intérieur et endommager le télescope et les accessoires attachés.
- Ne jamais utiliser un filtre solaire d'oculaire ou une cale de Herschel. De la chaleur peut se concentrer dans le télescope, risquant d'entraîner des failles ou des cassures sur les autres appareils, permettant à la lumière non filtrée du Soleil d'atteindre les yeux.
- Ne jamais laisser le télescope sans surveillance. Assurez-vous qu'un adulte connaissant les bonnes procédures d'utilisation soit à proximité de votre télescope tout le temps, surtout en présence d'enfants.

WARNING: KEEP BATTERIES OUT OF REACH OF CHILDREN.

AVERTISSEMENT : GARDEZ LES PILES HORS DE PORTÉE DES ENFANTS.

- Examinez les appareils et assurez-vous que le compartiment à piles est correctement fixé, par ex. que la vis ou autre fixation mécanique est serrée.
- Ne pas utiliser si le compartiment n'est pas sécurisé.
- Jetez les piles boutons usagées immédiatement et en toute sécurité. Les batteries déchargées peuvent toujours être dangereuses.
- Parlez aux autres des risques associés aux piles bouton et de la façon de protéger leurs enfants.



celestron.com/pages/warranty

NOTE DE LA FCC: Cet équipement a été testé et jugé conforme aux limites établies pour un dispositif numérique de classe B, conformément à la section 15 de la réglementation de la FCC. Ces limites sont conçues pour fournir une protection raisonnable contre les interférences nuisibles dans une installation résidentielle. Cet équipement génère, utilise et peut émettre une énergie de fréquence radio et, s'il n'est pas installé et utilisé conformément aux instructions, peut causer des interférences nuisibles aux communications radio. Mais il n'existe aucune garantie que des interférences ne seront pas produites dans une installation particulière. Si cet équipement cause des interférences nuisibles à la réception radio ou télévision, ce qui peut être déterminé en éteignant et en rallumant l'équipement, l'utilisateur est encouragé à essayer de corriger l'interférence par une ou plusieurs des mesures suivantes:

- Réorientez ou déplacez l'antenne de réception.
- Augmentez la séparation entre l'équipement et le récepteur.
- Connecter l'équipement dans une prise sur un circuit différent de celui auquel le récepteur est connecté
- Consultez le revendeur ou un technicien radio / TV expérimenté pour obtenir de l'aide

Cet appareil respecte la section 15 des règles de la FCC. Son utilisation est soumise aux deux conditions suivantes: (1) Cet appareil ne doit pas causer d'interférences nuisibles et (2) cet appareil doit accepter toutes les interférences reçues, y compris celles pouvant entraîner un fonctionnement indésirable.

Notez que les changements ou les modifications non expressément approuvées par le fournisseur de cet appareil annulent l'autorité de l'utilisateur à utiliser cet appareil.

L'apparence et les caractéristiques techniques du produit sont sujettes à modification sans préavis. Ce produit est conçu et prévu pour être utilisé par des personnes âgées de 14 ans et plus.

Besoin d'assistance?

Contactez le support technique de Celestron
celestron.com/pages/technical-support

celestron.com

© 2022 Celestron • Tous droits réservés • celestron.com
2835 Columbia Street • Torrance, CA 90503 É.-U.

0522



StarSense Explorer™ DOB



BEDIENUNGSANLEITUNG

BEST.-NR. 22470 STARSENSE EXPLORER 8" DOBSON

BEST.-NR. 22471 STARSENSE EXPLORER 10" DOBSON

EINLEITUNG

Herzlichen Glückwunsch zum Kauf des StarSense Explorer Dobson (SSE Dob) Teleskops. Ihr SSE Dob kombiniert eine große Optik mit dem faszinierenden StarSense Explorer-Dock und der App, damit das Auffinden und Beobachten aller Arten von astronomischen Objekten einfach und unterhaltsam wird! Sie können schwache Deep-Sky-Objekte – Galaxien, Nebel, Sternhaufen und mehr – in Sekundenschnelle auffinden und im Sichtfeld des Okulars anzeigen. Der große Hauptspiegel sammelt viel Licht und macht es möglich, Details in Objekten zu beobachten, die Sie noch nie zuvor gesehen haben.

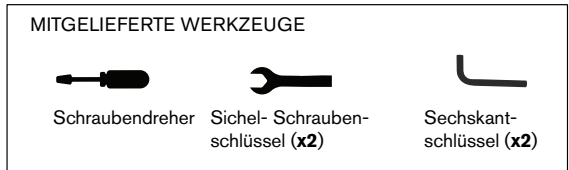
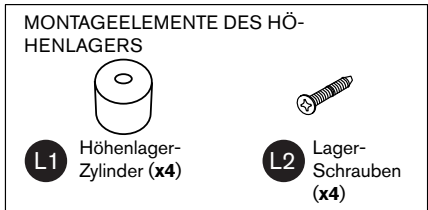
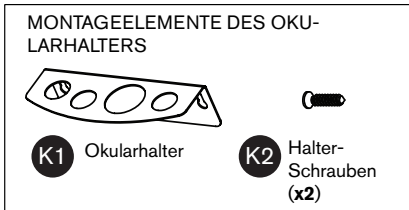
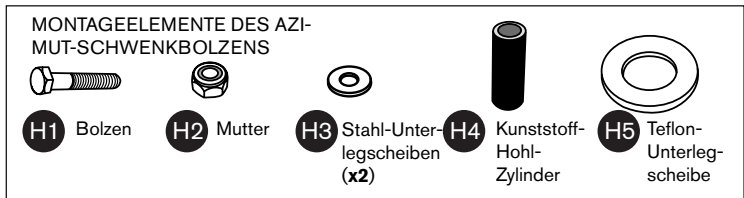
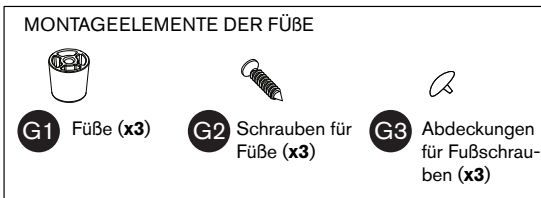
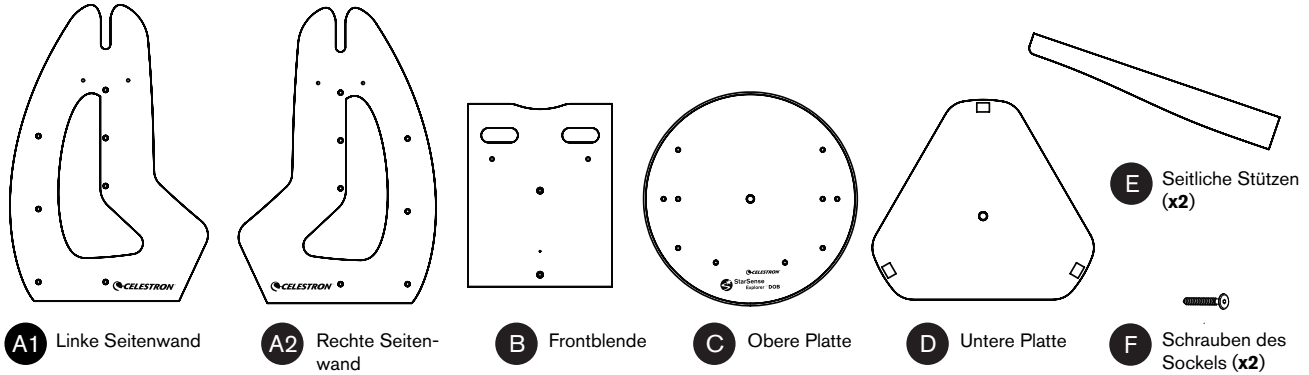
Bevor Sie Ihr StarSense Explorer Dob für Ihre erste nächtliche Beobachtung mit nach draußen nehmen, raten wir, dieses Handbuch sorgfältig durchzulesen. Es wird Ihnen helfen, die Funktionen Ihres Teleskops besser zu verstehen und zu erfahren, was Sie erwartet.

INHALTSVERZEICHNIS

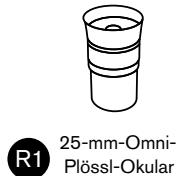
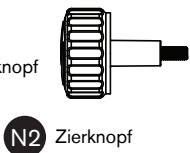
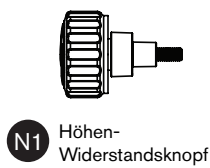
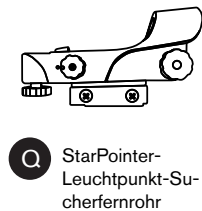
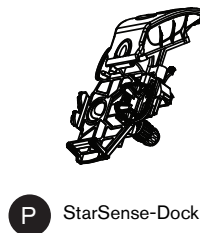
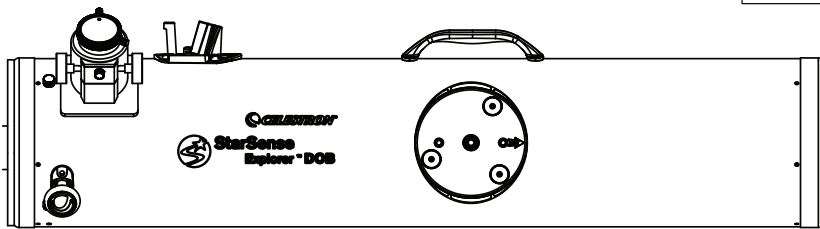
Lieferumfang	44
Montierung zusammenbauen	45
Teleskop zusammenbauen	46
Teleskop ausrichten	47
Fokussierung.	48
StarPointer verwenden	49
StarSense Explorer-Dock und App.	50
Vergrößerung bestimmen und Okulare auswählen.	51
Optik ihres Teleskops kühlen	51
Ihre erste Nacht draußen – was Sie erwartet	52
Dunkeladaption und Lichtverschmutzung	53
Filter verwenden	53
Optik kollimieren.	54
Transport.	56
Pflege und Wartung	57
Technische Daten des Explorer 8" Dobson.	58
Technische Daten des Explorer 10" Dobson	59
Sonnenstrahlen-Warnhinweis.	60

LIEFERUMFANG

Karton 1 - Dobson-Sockel



Karton 2 - Optische Tubus-Baugruppe



*2,5-mm-Sechskantschlüssel nur beim 20,3-cm-Dob im Lieferumfang enthalten

HINWEIS: Detaillierte Anweisungen zur Kollimation Ihrer Teleskopoptik finden (p54)

MONTIERUNG ZUSAMMENBAUEN

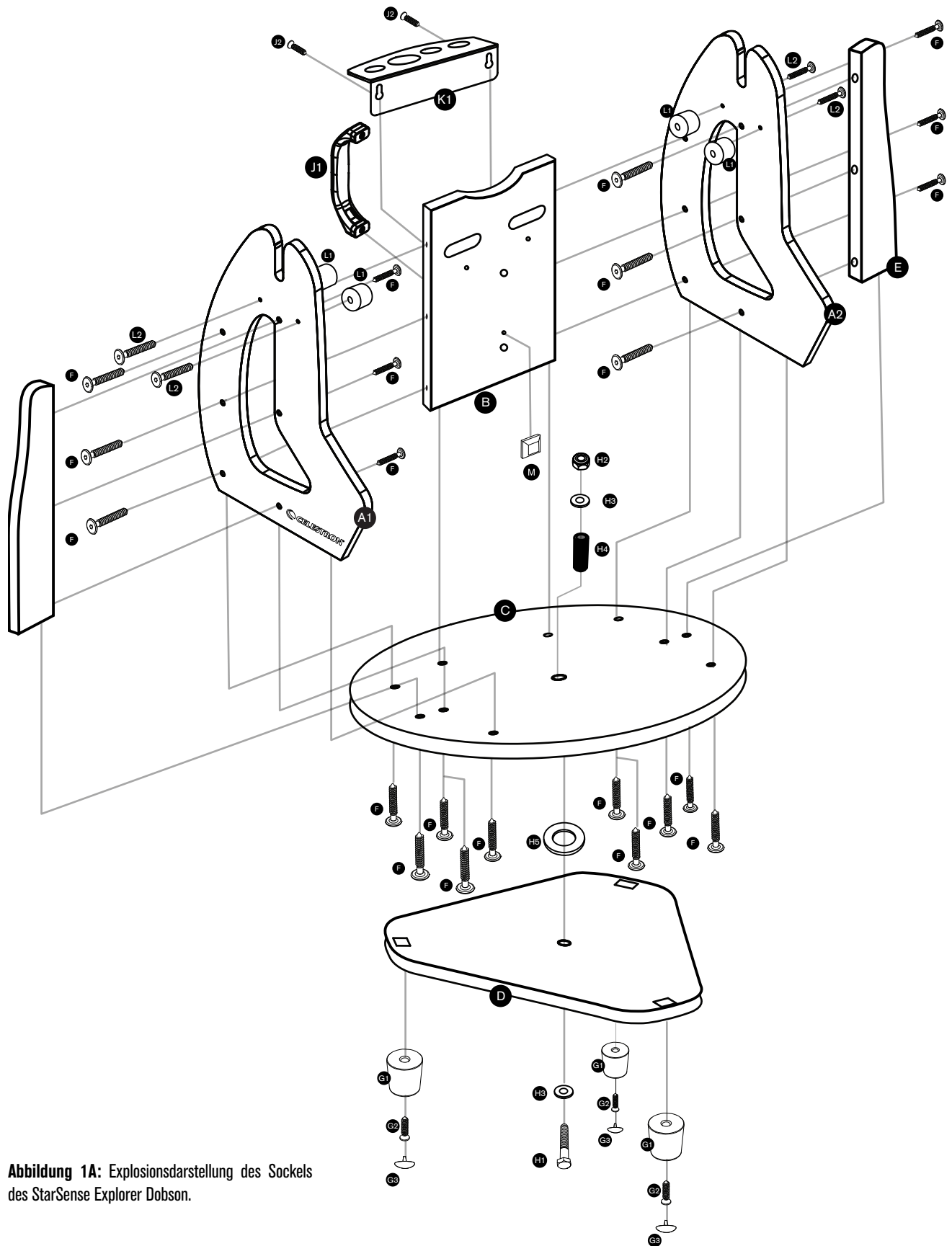


Abbildung 1A: Explosionsdarstellung des Sockels des StarSense Explorer Dobson.

TELESKOP ZUSAMMENBAUEN

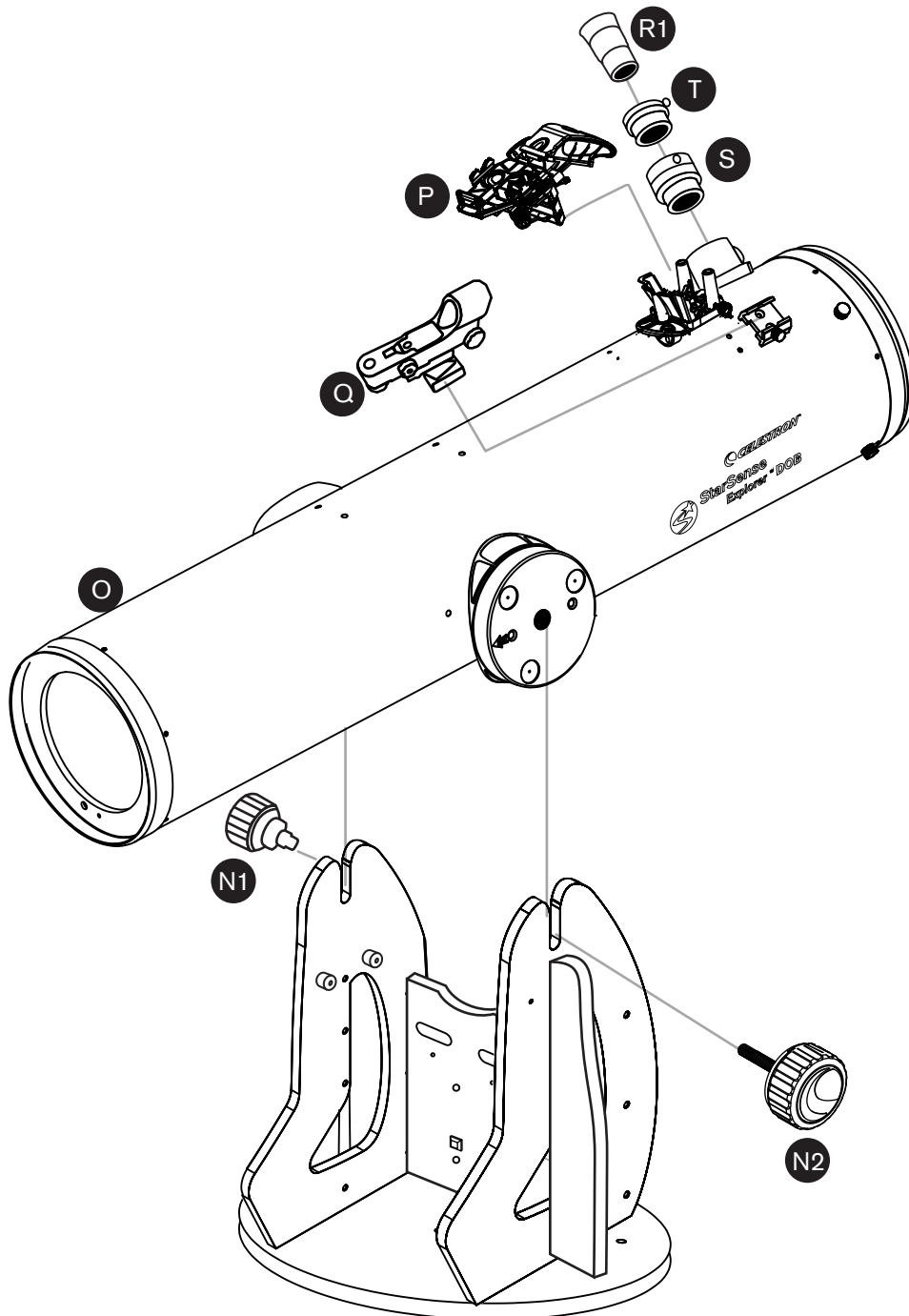


Abbildung 1B: Explosionsdarstellung der optischen Tubus-Baugruppe des StarSense Explorer

In Abbildung 1 sehen Sie, wie die SSE Dob zusammengehören.

Eine vollständige Teileliste und Montageanleitung finden Sie in der gedruckten Kurzanleitung, die der Verpackung beiliegt oder auf der Produktseite des SSE Dob unter www.celestron.com

TELESKOP AUSRICHTEN

Dobson Sockel sind azimutale Montierungen. Das bedeutet, dass sich das Teleskop in zwei Richtungen bewegt: auf und ab (d. h. Höhe) und von links nach rechts (d. h. Azimut) (Abbildung 2).



Abbildung 2: Die StarSense Explorer Dobson Teleskope haben zwei Bewegungsachsen: Höhe (auf und ab) und Azimut (von links nach rechts).

Das Ausrichten des Dobs auf ein Himmelsobjekt ist einfach. Bewegen Sie einfach den Teleskoptubus auf und ab und von links nach rechts, bis das Teleskop auf das gewünschte Objekt gerichtet ist und dieses im Okular des Teleskops erscheint. Der Schwenkknopf auf der Vorderseite des Teleskoptubus bietet eine bequeme Lösung, den Tubus zum Ausrichten zu ergreifen (Abbildung 3). Die Verwendung dieses Knopfes verhindert auch, dass die Wärme Ihrer Hand in den Strahlengang gelangt, was zu einer vorübergehenden Verzerrung des Bildes führen kann.



Abbildung 3: Der Schwenkknopf bietet einen hervorragenden Halt für Ihre Finger beim Ausrichten des Teleskops.

Sie können den Widerstand längst der Höhenachse einstellen, indem Sie den Knopf drehen, der sich auf der gleichen Seite wie der Fokussierer des Teleskops befindet – der Höhen-Widerstandsknopf (Abbildung 4).



Abbildung 4: Der Widerstand der Höhenbewegung kann mit dem Höhen-Widerstandsknopf angepasst werden. (**HINWEIS:** Der andere Knopf auf der gegenüberliegenden Seite dient nicht zum Anpassen des Höhenwiderstands).

Drehen Sie den Knopf, um ausreichend Widerstand für eine gleichmäßige Auf- und Abwärtsbewegung zu erzielen. In den meisten Fällen müssen Sie nicht viel Widerstand aufbauen. Das Teleskop ist für den normalen Gebrauch ausbalanciert. Wenn Sie jedoch ein schweres Okular oder ein größeres Smartphone verwenden, müssen Sie möglicherweise mehr Widerstand aufbauen, damit sich das Teleskop nicht bewegt, wenn Sie es anfassen.

FOKUSSIERUNG

Im Lieferumfang der SSE Dobs befinden sich ein 2"-Crayford-Fokussierer, ein 2"-Verlängerungstubus und ein 2"-auf-1,25"-Okularadapter. Mit diesen drei Teilen können Sie praktisch jedes Teleskopokular mit dem SSE Dob verwenden.

Achten Sie bei den die meisten Okularen darauf, dass der 2"-Verlängerungstubus im Fokussierer eingesetzt ist. Ist dies nicht der Fall, kann das Okular nicht scharf gestellt werden. Wenn Sie ein Okular verwenden, bei dem viel innerer Fokussierweg benötigt wird, entfernen Sie den 2"-Verlängerungstubus. Möglicherweise müssen Sie den Tubus entfernen, wenn Sie Ihr Dob mit einer Kamera für astronomische Aufnahmen verwenden möchten.

Wenn Sie ein 1,25"-Okular verwenden möchten, müssen Sie den 2"-auf-1,25"-Okularadapter einsetzen. Setzen Sie ihn einfach in den Fokussierer ein (mit eingesetztem 2"-Verlängerungstubus) und stecken Sie dann das 1,25"-Okular in den Adapter. Ziehen Sie die Rändelschraube am Adapter fest, um das Okular zu fixieren. Der Adapter verwendet einen internen Messing-Kompressionsring, damit der Okulartubus nicht zerkratzt oder beschädigt wird.

Drehen Sie zum Fokussieren die Fokussierknöpfe im oder gegen den Uhrzeigersinn, bis das Objekt im Okular des Teleskops scharf eingestellt ist. Um die Position des Fokussierers beizubehalten, nachdem Sie in scharf gestellt haben, ziehen Sie die Rändelschraube des Fokussiers fest (Abbildung 5). Wenn Sie den Widerstand des Fokussierknopfes anpassen müssen, können Sie die Fokussierer-Widerstandsschraube mit dem mitgelieferten Sechskantschlüssel festziehen oder lösen.

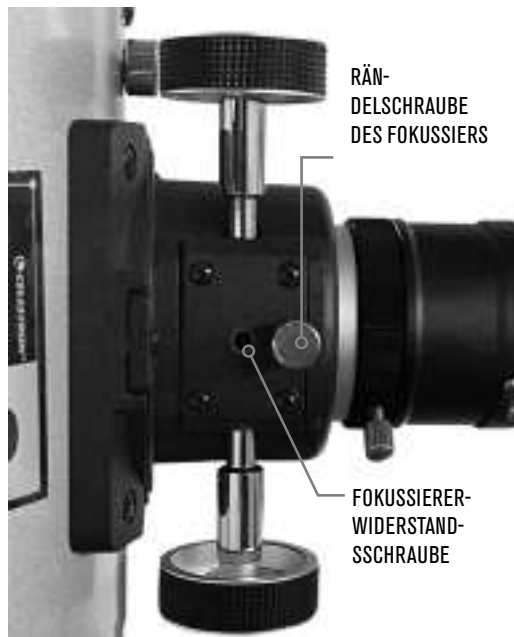


Abbildung 5: Die Stellschraube für die Verriegelung des Fokussiers fixiert diesen, sobald die Scharfeinstellung erfolgt ist. Mit der Stellschraube für den Widerstand des Fokussierers wird der Widerstand der Fokussierknöpfe angepasst.

Da das SSE Dob ein Newton-Reflektor ist, erscheinen die angezeigten Bilder spiegelverkehrt und invertiert im Vergleich zur Ansicht mit bloßem Auge (Abbildung 6).

Dies hat zwar nur geringe Auswirkungen auf astronomische Beobachtungen, kann aber bei der Betrachtung von Objekten an Land ein wenig irritierend sein.



ANSICHT MIT BLOSSEM AUGE



ANSICHT DURCH EIN NEWTON-REFLEKTORTELESKOP

Abbildung 6: Wie alle Newton-Reflektoren erzeugen die SSE-Dobs Bilder, die im Vergleich zum bloßen Auge spiegelverkehrt und invertiert angezeigt werden.

STARPOINTER VERWENDEN

Obwohl Sie sich nicht auf das StarPointer Leuchtpunkt-Sucherfernrohr verlassen müssen, wenn Sie die StarSense Explorer App verwenden, kann es beim Ausrichten der App mit dem Teleskop hilfreich sein. Der StarPointer ist auch nützlich, wenn Sie tagsüber Objekte suchen, da die App nur nachts unter dem Sternenhimmel funktioniert.

Um den StarPointer auszurichten, zeigen Sie mit dem Teleskop zunächst auf ein Objekt, das mindestens 400 Meter entfernt ist. Wir raten, die Ausrichtung tagsüber vorzunehmen. Wählen Sie einen weit entfernten Baum, ein Schild, ein Gebäude oder einen anderen Orientierungspunkt. Wenn Sie nachts ausrichten, können Sie eine Straßenlaterne, den Mond, einen hellen Stern oder Planeten verwenden.

Sobald Sie das Teleskop auf das Objekt gerichtet haben, kontrollieren Sie, ob es im Okular erscheint. Schalten Sie dann den StarPointer mit dem LED-Einstellrad ein (Abbildung 7).

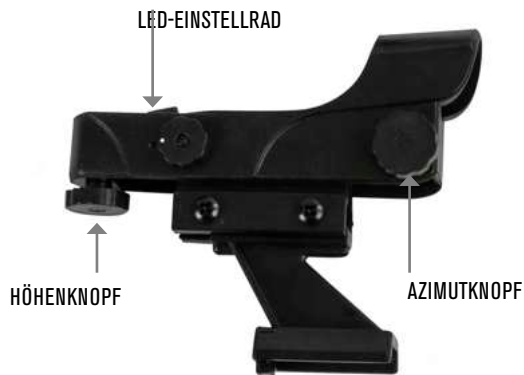


Abbildung 7: Das StarPointer Leuchtpunkt-Sucherfernrohr.

Erhöhen Sie die Helligkeit so, dass Sie den roten Punkt gut sehen können. Verwenden Sie nun, ohne das Teleskop zu bewegen, die Höhen- und Azimut-Einstellknöpfe des StarPointers, um den roten Punkt auf dem gleichen Objekt zu zentrieren, das Sie im Okular des Teleskops zentriert haben. Wenn Sie fertig sind, kontrollieren Sie, ob das Objekt immer noch im Okular des Teleskops zentriert ist. Ist dies der Fall, ist die Ausrichtung des StarPointers abgeschlossen. Falls nicht, bewegen Sie das Teleskop so, dass das Objekt wieder im Okular des Teleskops zentriert ist. Fahren Sie mit dem Einsatz der Höhen- und Azimut-Einstellknöpfe des StarPointer fort, um den roten Punkt wieder auf dem Objekt zu zentrieren.

Schalten Sie den StarPointer aus, wenn er nicht verwendet wird, um seine Batterie zu schonen. Die Batterie des StarPointers sollte zwar lange halten, aber es kommt der Zeitpunkt, an dem durch eine CR2032 3-V-Lithium-Knopfzelle ersetzt werden muss. Diese Zellen sind weit verbreitet und bei einer Vielzahl von Händlern erhältlich.

Batterie ersetzen:

1. Entfernen Sie die Sicherungsschraube der Batterieabdeckung mit einem Kreuzschlitzschraubendreher (Abbildung 8).



Abbildung 8: Um die Batterieabdeckung des StarPointers zu öffnen, entfernen Sie zunächst die Sicherungsschraube.

2. Entfernen Sie die leere Batterie aus dem Batteriefach. Möglicherweise müssen Sie ein Messer oder einen Schraubenzieher verwenden, um die Batterie aus ihrer Halterung herauszuhebeln.
3. Legen Sie die neue Batterie so ein, dass der Pluspol nach oben zeigt. Achten Sie darauf, dass die Batterie richtig im Batteriefach sitzt (Abbildung 9).



Abbildung 9: Wenn die Batterie wie dargestellt richtig in das Batteriefach eingesetzt wurde, lässt sich die Batteriefachabdeckung leicht wieder schließen.

4. Schließen Sie das Batteriefach und setzen Sie die Sicherungsschraube wieder ein.

STARSENSE EXPLORER-DOCK UND APP

Die vielleicht faszinierendste Funktion des StarSense Explorer Dobson ist das StarSense Explorer-Dock und die StarSense Explorer Smartphone-App. Mit der App, die Sie anleitet, werden Sie mehr Zeit mit der Beobachtung von Objekten verbringen, anstatt sich mit der Suche nach ihnen unter den unzähligen Sternen am Himmel abzumühen! Das Celestron StarSense Explorer ist das einzige Dobson, der diese unglaubliche Funktion bietet.

Laden Sie zuerst die App aus dem Apple App Store (iOS) oder von Google Play (Android) herunter und installieren Sie sie. Dort finden Sie auch die minimalen Systemanforderungen. Wenn Sie sich nicht sicher sind, ob Ihr Smartphone mit der App kompatibel ist, besuchen Sie bitte celestron.com/SSE

Sobald Sie die App heruntergeladen haben, verwenden Sie den App-Freischaltcode, den Sie auf der gedruckten Karte finden, die im Lieferumfang des Teleskops enthalten ist (Abbildung 10).

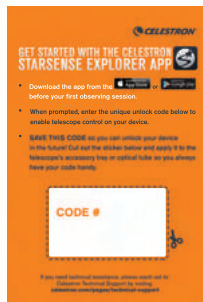


Abbildung 10: Den Freischaltcode für die StarSense Explorer App finden Sie auf der Karte, die sich im Lieferumfang Ihres Teleskops befindet.

Jeder Code kann bis zu fünf Geräte für die Nutzung der StarSense Explorer-Funktionen freischalten. Wenn Sie den Code fünf Mal verwendet haben und die App auf weiteren Geräten freischalten müssen, wenden Sie sich bitte an den technischen Unterstützung von Celestron unter celestron.com/pages/technical-support.

Nachdem Sie die App freigeschaltet haben, können Sie beginnen. Platzieren Sie Ihr Smartphone im StarSense Explorer-Dock und drücken Sie das StarSense-Symbol am unteren Rand des Planetariumbildschirms (Abbildung 11).

Wählen Sie die Option „AUSRICHTUNG ERFORDERLICH“ und folgen Sie den Anweisungen auf dem Bildschirm, um die Kamera des Smartphones mit dem Teleskop auszurichten. Sobald dieser Vorgang abgeschlossen ist, können Sie die App zum Auffinden von Objekten verwenden.

Wählen Sie ein Objekt im Planetarium oder aus der Liste „Das Beste von heute Nacht“ zur Beobachtung aus. Auf dem Bildschirm werden Pfeile angezeigt, die Sie zu dem Objekt führen. Folgen Sie den Pfeilen, bis das Fadenkreuz grün wird und das Objekt sich im Sichtfeld Ihres Teleskops befindet. Es ist so einfach!

Sie können während der Beobachtung detaillierte Informationen über das Objekt nachschlagen. Hunderte der beliebtesten Objekte bieten auch eine Audio-Präsentation. Drücken Sie zum Anhören auf die Leiste am unteren Bildschirmrand, in der der Name des Objekts aufgeführt ist (Abbildung 12).



STARSENSE-SYMBOL

Abbildung 11: Sobald Sie die StarSense Explorer App freigeschaltet haben, drücken Sie das StarSense-Symbol, um mit der Objektsuche zu beginnen.



Abbildung 12: Drücken Sie die Objektinformationen-Leiste, um zusätzliche Informationen über das ausgewählte Objekt abzurufen, einschließlich Bildern und Audio-Präsentationen für viele Objekte.

VERGRÖßERUNG FESTLEGEN UND OKULARE AUSWÄHLEN

Um die Vergrößerung des Teleskops zu ändern, müssen Sie das Okular im Fokussierer des Teleskops wechseln. Zum Berechnen der Vergrößerung, die Sie mit einem bestimmten Okular erreichen können, verwenden Sie diese Formel:

$$\frac{\text{Brennweite des Teleskops}}{\text{Brennweite des Okulars}} = \text{Vergrößerung}$$

Die SSE Dobs haben eine Brennweite von 1200 mm. In ihrem Lieferumfang befindet sich ein 25-mm-Omni-Plössl-Okular. Anhand der Formel können wir berechnen, dass diese Kombination eine Vergrößerung von 48-fach ergibt ($1200 \text{ mm} / 25 \text{ mm} = 48\text{-fach}$). Dies ist eine hervorragende Vergrößerung für das Auffinden und Beobachten von weit entfernten Objekten im Weltall. Vielleicht möchten Sie ein Okular mit höherer Vergrößerung kaufen, z. B. ein 10-mm-Omni-Plössl, um den Mond und die Planeten mit höherer Vergrößerung zu beobachten. Erhöhen Sie die Vergrößerung jedoch nicht zu stark, da sonst die Sicht aufgrund atmosphärischer Störungen (z. B. Luftturbulenzen) beeinträchtigt werden kann.

Die maximale Vergrößerung eines Teleskops liegt bei etwa 60-facher Vergrößerung pro Zoll, also 480-fach für das 8" SSE Dob und 600-fach für das 10" SSE Dob. An vielen Orten kann es jedoch schwierig sein, scharfe Bilder mit mehr als 100-facher Vergrößerung zu erzielen, da es in der Luft über Ihnen zu Turbulenzen kommt. Wenn Sie feststellen, dass die Sterne über Ihnen stark funkeln, sind die Sichtbedingungen schlecht. Sie müssen dann eine geringere Vergrößerung wählen. Wenn die Sterne ruhig zu leuchten scheinen, sind die Sichtbedingungen gut. Sie können versuchen, Okulare mit höherer Vergrößerung zu verwenden.

Die SSE Dobs können sowohl mit Okularen im 1,25"-als auch im 2"-Format verwendet werden. 2"-Okulare bieten normalerweise ein größeres Sichtfeld, kosten aber auch möglicherweise deutlich mehr. Entfernen Sie zur Verwendung eines 2"-Okulars den 2"-auf-1,25"-Adapter vom Fokussierer und stecken Sie das Okular direkt in den 2"-Verlängerungstubus. Sichern Sie das Okular mit den Rändelschrauben am 2-Zoll-Verlängerungstubus.

Der Okularhalter an der Vorderseite des Sockels bietet eine praktische Ablage für Okulare, die nicht verwendet werden. Er kann drei 1,25-Zoll-Okulare und ein 2-Zoll-Okular aufnehmen (Abbildung 13).



Abbildung 13: Der Okularhalter ist ein praktischer Platz, um zusätzliche Okulare während der Beobachtungssitzung aufzubewahren.

OPTIK IHRES TELESKOPS KÜHLEN

Sie erhalten die beste Sicht durch Ihr Teleskop, wenn es sich im thermischen Gleichgewicht mit der Umgebungsluft befindet. Wenn das Teleskop wärmer ist als die Außenluft, passt sich der Spiegel an die Temperatur an und seine Form verändert sich. Bilder, die Sie durch ein nicht abgekühltes Teleskop betrachten, erscheinen nicht so scharf, wie sie es sonst wären. Wenn Sie Ihr Teleskop aus einem beheizten Haus ins Freie bringen, müssen Sie etwa eine Stunde warten, bevor Sie scharfe Bilder erwarten können. Aus diesem Grund empfehlen wir Ihnen, Ihr Teleskop in einem trockenen, aber ungeheizten Raum wie einer Garage oder einem Schuppen aufzubewahren.

Für das 10" SSE Dob gibt es einen optionalen USB-Kühlventilator für Dobsons. Er wird an der Rückseite der Spiegelzelle montiert und bläst Luft auf den Spiegel, um die Kühlung zu beschleunigen (Abbildung 14).

Der Lüfter hilft der Optik, das thermische Gleichgewicht schneller zu erreichen. (Das 8" SSE Dob hat keine Lüfterhalterung und ist daher mit dem Kühlventilator nicht kompatibel).



Abbildung 14: Der optionale USB-Kühlventilator für Dobsons ist mit dem 10" SSE Dob kompatibel.

IHRE ERSTE NACHT DRAUSSEN – WAS SIE ERWARTET

Mit der größeren Blende der SSE Dobs können Sie buchstäblich Tausende von Objekten beobachten:

Der Mond

Die Beobachtung der Mondoberfläche ist ein guter Ausgangspunkt. Sie können leicht Krater, Marias, Lakus, Täler, Berge und andere Merkmale erkennen. Der Mond ist so hell, dass Sie die Verwendung eines optionalen Mondfilters in Betracht ziehen sollten. Er lässt sich auf die Unterseite des Okulars schrauben, um die Ansicht abzudunkeln. Wir empfehlen auch ein Okular mit höherer Leistung, damit Sie den Mond aus der Nähe betrachten können.

Planeten

Die besten beobachtbaren Planeten sind Jupiter, Saturn, Mars und Venus. Ein Okular mit höherer Leistung hebt die kleinen Details hervor. Sie können die Ringe des Saturns, Oberflächendetails auf dem Jupiter und seinen Monden, die Phasen der Venus und vielleicht einige Oberflächendetails auf dem Mars beobachten, wenn er in Opposition steht (d. h. wenn er der Erde am nächsten ist).

Sterne und Doppelsterne

Sterne erscheinen unabhängig von der verwendeten Vergrößerung als Lichtpunkte. Mit einem Teleskop können Sie jedoch die Farbe eines Sterns erkennen und bei höherer Vergrößerung auch Doppelsterne „aufteilen“. Achten Sie bei variablen Sternen darauf, ob Sie die Helligkeitsänderung eines Sterns über einen Zeitraum von Tagen oder Wochen feststellen können.

Offene Sternhaufen

Dies sind Sterngruppen, die in unserer Galaxie, der Milchstraße, entstanden sind. Sie können im Okular des Teleskops eindrucksvoll beobachtet werden, selbst bei etwas lichtverschmutztem Himmel. Astronomen beschreiben Sternhaufen oft so, dass sie im Okular des Teleskops wie „zerdrückte Diamanten auf schwarzem Samt“ aussehen. Sternhaufen lassen sich normalerweise am besten mit lichtschwachen Okularen betrachten, da sie in der Regel ein großes Sichtfeld erfordern, um den gesamten Sternhaufen zu erkennen.

Kugelsternhaufen

Dabei handelt es sich um dichte Haufen von Hunderttausenden von Sternen, die sich schon früh bei der Entstehung unserer Galaxie gebildet haben. Diese Sternhaufen sehen aus wie Kugeln aus Licht. Die helleren Haufen können bei guten Bedingungen in einzelne Sterne aufgelöst werden. Die meisten Kugelsternhaufen lassen sich am besten mit einem Okular mittlerer Vergrößerung betrachten, da sie nicht annähernd so groß sind wie offene Sternhaufen, aber auch nicht hell genug für hohe Vergrößerungen.

Nebel

Normalerweise brauchen Sie einen dunklen Himmel, um Gasnebel zu beobachten, die als schwaches Leuchten um Sterne herum erscheinen. Erwarten Sie nicht, dass Sie am Stadthimmel Nebel sehen können, außer vielleicht die hellsten, wie den Orionnebel und den Lagunennebel.

Galaxien

Galaxien sind vielleicht die faszinierendsten aller Objekte, die man beobachten kann. Sie sind wie Inseluniversen für sich selbst. Die hellsten Galaxien, wie z. B. die Andromeda-Galaxie, kann man zwar bei einem etwas lichtverschmutzten Himmel erkennen, aber am besten lassen sie sich bei dunklen Himmel beobachten. In der Beobachtungsbereichweite der SSE Dobs befinden sich buchstäblich Hunderte von Galaxien. Die besten Bilder zeigen kleine Details wie schwache Spiralarme und Staubschleppen. Viele werden jedoch nur als nicht-stellare „Schlieren“ oder „Klumpen“ erscheinen. Trotzdem ist allein die Möglichkeit, das Licht einer anderen Galaxie außerhalb unserer eigenen zu entdecken, schon lohnend.

Dabei ist zu beachten, dass die SSE Dobs nicht motorisiert sind. Das bedeutet, dass sie Himmelsobjekten nicht automatisch folgen, wenn sich die Erde dreht. Daher werden Sie feststellen, dass Objekte bei der Beobachtung ein wenig driften und je nach Vergrößerung innerhalb von ein oder zwei Minuten aus dem Sichtfeld des Okulars verschwinden. Bei Okularen mit höherer Vergrößerung driften die Objekte schneller aus dem Gesichtsfeld, da ihr Gesichtsfeld schmaler ist. Sie müssen das Dob manuell nachführen, um die Objekte im Zeitverlauf zu zentrieren. Das ist leicht zu bewerkstelligen. Halten Sie den Schwenkknopf des Teleskops fest und bewegen Sie ihn je nach Bedarf etwas auf und ab und von links nach rechts.

DUNKELADAPTION UND LICHTVERSCHMUTZUNG

Es dauert mindestens eine halbe Stunde, bis sich das menschliche Auge an die Dunkelheit gewöhnt hat. Erwarten Sie also nicht, dass Sie sofort kleine Details in schwachen Deep-Sky-Objekten erkennen, sobald Sie ins Freie gehen. Vermeiden Sie während der Beobachtung helles Licht (z. B. wenn Sie von draußen in ein beleuchtetes Haus gehen), sonst braucht Ihre Dunkeladaption erneut Zeit, um sich wieder anzupassen. Verwenden Sie rote Taschenlampen, die für den astronomischen Gebrauch bestimmt sind, da das rote Licht Ihre Nachtsicht nicht stark beeinträchtigt. Auch der Mond beeinträchtigt Ihre Dunkeladaption. Wenn Sie also den Mond direkt beobachten, müssen Sie damit rechnen, dass es einige Zeit dauert, bis Sie Ihre Nachtsicht wieder hergestellt ist.

Örtliche Lichtverschmutzung beeinträchtigt stark das Aussehen und den Kontrast von schwächeren Deep-Sky-Objekten im Teleskop. Erwarten Sie nicht, dass Sie am Stadthimmel viele Details erkennen können. Die besten Beobachtungsmöglichkeiten erhalten Sie an dunklen Orten, die von der nächtlichen Beleuchtung von Städten oder Vorstädten weit entfernt sind. Helle Objekte wie der Mond, Planeten und helle offene Sternhaufen werden von der Lichtverschmutzung nicht so stark beeinträchtigt und eignen sich daher gut für die Beobachtung im Garten, egal wo man sich befindet. Vergessen Sie nicht, dass auch der Mond selbst einen großen Teil des Nachthimmels erhellen kann, was die Beobachtung schwacher Objekte selbst von dunklen Standorten aus verhindert. Planen Sie Deep-Sky-Beobachtungen daher für Zeiträume, in denen der Mond nicht zu sehen ist.

FILTER VERWENDEN

Experimentieren Sie mit optionalen Filtern, um die Sicht zu verbessern. Astronomische Filter werden auf die Unterseite des Okulars aufgeschraubt und sind normalerweise im 1,25"- und 2"-Format erhältlich. Entfernen Sie einfach das Okular aus dem Fokussierer, schrauben Sie den Filter unten auf die Steckhülse des Okulars und setzen Sie dieses dann wieder in den Fokussierer ein.

Es stehen viele nützliche Filter zur Auswahl:

Mondfilter – Dieser für die Beobachtung von Mondetails unverzichtbare Filter verringert die Blendung und macht helle Objekte dunkler.

Variabler Polarisator – Wie der Mondfilter verdunkelt auch der Polarisator Ihre Sicht. Der Hauptunterschied besteht darin, dass Sie die Stärke des Abdunklungseffekts durch Drehen des Polarisators individuell einstellen können.

Farbfilter – Diese Filter sind in einer Vielzahl von Farben erhältlich und können den Kontrast bei der Beobachtung von Planetendetails verbessern.

Lichtverschmutzungsfilter – Wenn Sie Deep-Sky-Objekte von einem Stadt- oder Vorstadt-Himmel aus beobachten, verbessern diese Filter den Kontrast, indem sie das „schlechte“ Licht der örtlichen Lichtverschmutzung blockieren und das „gute“ Licht von Objekten am Deep-Sky durchlassen. Sie werden die größte Kontrastverbesserung bei der Beobachtung von Nebeln feststellen.

OPTIK KOLLIMIEREN

Unter Kollimation versteht man das Ausrichten der Optik des Teleskops. Dobson-Teleskope verwenden eine Newton-Reflektoroptik, die aus einem parabolischen Haupt- und einem flachen Zweitspiegel besteht. Um eine optimale Leistung zu gewährleisten, müssen Sie die Ausrichtung der Optik regelmäßig überprüfen. Um Ihnen dabei zu helfen, haben wir eine spezielle „Kollimationskappe“ beigelegt, die Sie verwenden können. Darüber hinaus ist der Hauptspiegel mit einem selbstklebenden Ring markiert, der die Kollimation erleichtert.

Um die Ausrichtung der Spiegel zu überprüfen, entfernen Sie zunächst alle Okulare. Vergewissern Sie sich, dass der 2"-auf-1,25"-Adapter im Fokussierer eingesetzt ist. Setzen Sie dann die Kollimationskappe auf den Fokussierer (Abbildung 15).



Abbildung 15: Um die Ausrichtung der Spiegel zu überprüfen, verwenden Sie die mitgelieferte Kollimationskappe mit dem Fokussierer.

Schauen Sie durch das kleine Loch in der Mitte der Kollimationskappe. Die Ansicht sollte wie in Abbildung 16 aussehen. Ist dies nicht der Fall, müssen Sie die Ausrichtung der Spiegel korrigieren.

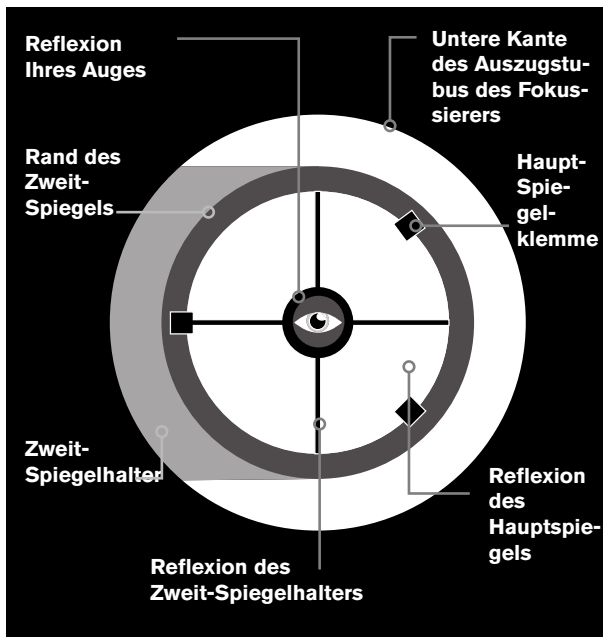


Abbildung 16: Wenn Ihr Teleskop richtig ausgerichtet wurde, sollte der Blick durch die Kollimationskappe wie in der Abbildung oben aussehen.

Es ist am einfachsten ein Teleskop tagsüber zu kollimieren, wenn das Teleskop auf eine weiße Wand gerichtet ist. So erhalten Sie eine kontrastreiche Ansicht und können leichter feststellen, welche Anpassungen vorgenommen werden müssen. Verwenden Sie den/die mitgelieferten Sechskantschlüssel, um die Anpassungen vorzunehmen. Im Lieferumfang des 8" SSE Dob befinden sich ein 2-mm- und 2,5-mm-Sechskantschlüssel. Im Lieferumfang des 10"-SSE-Dob befindet sich ein einzelner 2-mm-Sechskantschlüssel. Für das 8" SSE Dob benötigen Sie außerdem den mitgelieferten Kreuzschlitzschraubendreher.

Stellen Sie zunächst den Zweitspiegel auf der Vorderseite des Teleskops mit dem 2-mm-Sechskantschlüssel ein.

1. Sie müssen in der Lage sein, die Reflexion des gesamten Hauptspiegels zentriert im Zweitspiegel zu sehen, wie in Abbildung 16 dargestellt.

Ist dies nicht der Fall (wie z. B. in Abbildung 17), stellen Sie die Neigung des Zweitspiegels mit den drei Innensechskantschrauben im Zweitspiegelhalter ein (Abbildung 18).

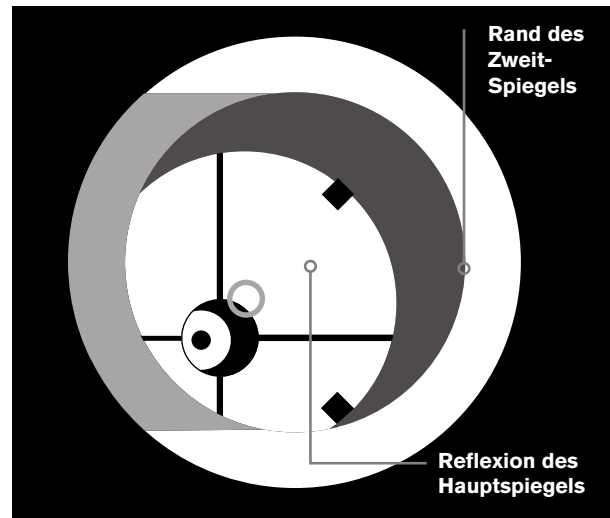


Abbildung 17: Wenn die Reflexion des Hauptspiegels nicht wie oben dargestellt im Zweitspiegel zentriert ist, müssen Sie die Neigung des Zweitspiegels anpassen.



Abbildung 18: Mit den drei Innensechskantschrauben im

Zweitspiegelhalter wird die Neigung des Zweitspiegels eingestellt.

- a. Stellen Sie jeweils eine Stellschraube ein. Nehmen Sie nur kleine Anpassungen vor.
 - b. Wenn eine Stellschraube zu fest oder zu locker sitzt, nehmen Sie die Anpassungen an den anderen Schrauben vor, um dies auszugleichen.
2. Fahren Sie mit der Einstellung der Stellschrauben fort, bis der Hauptspiegel in der Mitte des Zweitspiegels erscheint (Abbildung 19). Wenn Sie fertig sind, achten Sie darauf, dass alle drei Stellschrauben gut festgezogen sind.

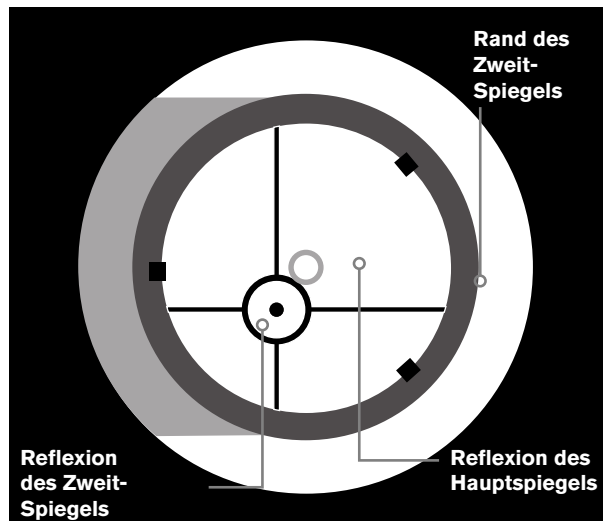


Abbildung 19: Fahren Sie mit der Einstellung der Neigung des Zweitspiegels fort, bis die Reflexion des Hauptspiegels wie in der Abbildung oben dargestellt zentriert ist.

3. Stellen Sie als Nächstes die Neigung des Hauptspiegels ein, bis die Reflexion des Zweitspiegels innerhalb der Reflexion des Hauptspiegels zentriert ist.

Verwenden Sie beim 8"-Dobson den 2,5-mm-Sechskantschlüssel und den Kreuzschlitzschraubendreher, um den Hauptspiegel zu neigen. Es gibt drei Kollimationsschrauben-Paare. Jedes Paar arbeitet zusammen, um die Neigung einzustellen.

- a. Stellen Sie jeweils ein Schraubenpaar ein. Lösen Sie zunächst eine der beiden Schrauben und ziehen Sie die andere fest (Abbildung 20).



Abbildung 20: Beim 8"-Dob befinden sich in der Spiegelzelle drei Sätze von Push-Pull-Schrauben, mit denen die Neigung des Hauptspiegels eingestellt wird. Lösen Sie eine Schraube des Paares und ziehen Sie die andere fest, um die Neigung einzustellen.

- b. Wenn der Spiegel entgegen der gewünschten Richtung kippt, lösen Sie die Schraube, die Sie zuvor angezogen haben und ziehen Sie die andere Schraube des Paares fest.
- c. Sobald Sie ein Schraubenpaar so weit wie möglich eingestellt haben, machen Sie mit einem anderen Schraubenpaar weiter.
- d. Fahren Sie mit der Anpassung fort, bis die Reflexion des Zweitspiegels innerhalb der Reflexion des Hauptspiegels zentriert ist. Wenn Sie fertig sind, sollte der Blick durch die Kollimationskappe wie in Abbildung 16 aussehen.

Für das 10"-Dobson benötigen Sie kein Werkzeug, um den Hauptspiegel zu neigen. Stellen Sie stattdessen einfach die Rändelschrauben ein. Drei der Rändelschrauben sind Arretierschrauben, während mit den anderen drei Rändelschrauben die Neigung eingestellt wird.

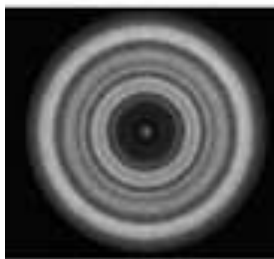
1. Lösen Sie zunächst alle drei Rändelschrauben (Abbildung 21).



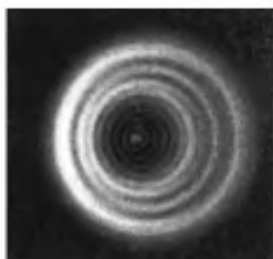
Abbildung 21: Beim 10"-Dob gibt es drei federgelagerte Kollimationsschrauben, mit denen die Neigung des Hauptspiegels angepasst wird. Die anderen drei Rändelschrauben fixieren den Spiegel, sobald die Neigungsanpassung abgeschlossen ist.

2. Stellen Sie die Rändelschrauben für die Kollimation nacheinander ein. Jede Kollimationsschraube ist federgelagert, sodass Sie sie im oder gegen den Uhrzeigersinn drehen können.
3. Passen Sie die Schrauben weiter an, bis die Reflexion des Zweitspiegels innerhalb der Reflexion des Hauptspiegels zentriert ist.
4. Ziehen Sie die drei Rändelschrauben wieder fest, bis sie gut sitzen.
5. Wenn Sie fertig sind, sollte der Blick durch die Kollimationskappe wie in Abbildung 16 aussehen.

Die Optik Ihres Teleskops ist nun ausgerichtet und einsatzbereit. Sie können die Ausrichtung des Teleskops auch nachts überprüfen, indem Sie das Teleskop bei starker Vergrößerung auf einen hellen Stern richten. Zentrieren Sie den Stern im Sichtfeld und defokussieren Sie ihn leicht – er sollte wie ein Kreis mit einem Loch in der Mitte aussehen. (Das „Loch“ ist der Schatten des Zweitspiegels.) Wenn sich das Loch nicht in der Mitte des Kreises befindet, müssen Sie die Kollimation zusätzlich anpassen (Abbildung 22).



GUTE KOLLIMATION



MUSS ANGEPASST WERDEN

Abbildung 23: Um den Hauptspiegel zum Reinigen aus dem Teleskoptubus herauszunehmen, entfernen Sie zunächst die Schrauben, die sich direkt über der Spiegelzelle befinden.

TRANSPORT

Der Transport des StarSense Explorer Dobson ist einfach, besonders wenn man seine Größe bedenkt. Nehmen Sie zunächst den Teleskoptubus vom Sockel ab, indem Sie den Höhen-Widerstandsknopf lösen und den Teleskoptubus anheben. Sie können den Tubus und den Sockel separat mit den integrierten Tragegriffen transportieren. Die Griffe sind so angebracht, dass sie die Last ausbalancieren, sodass keine der beiden Komponenten umständlich zu transportieren sein dürfte.

PFLEGE UND WARTUNG

Bewahren Sie das Teleskop an einem trockenen Ort im Haus auf. Eine Garage ist ein idealer Ort. Sie hält die Optik in der Nähe der Außentemperatur, sodass die Optik nicht so lange braucht, um sich zu akklimatisieren. Behalten Sie die Staubschutzkappe auf der Vorderseite des Teleskops und die Abdeckkappe auf dem Fokussierer, wenn Sie das Teleskop nicht verwenden. Andernfalls können sich Staub und Partikel auf der Optik ansammeln.

Wenn das Teleskop durch Tau feucht geworden ist, trocknen Sie die Außenseite des Teleskoptubus und des Sockels vor der Aufbewahrung mit einem Handtuch ab. Während eine kleine Menge Wasser auf der Außenseite des Tubus und dem Sockel dem Teleskop nicht schadet, kann eine langfristige Lagerung im feuchten Zustand zu Korrosion oder Wasserschäden führen. Der Holzsockel hat versiegelte Melaminoberflächen. Dennoch kann Wasser in Risse eindringen, wenn er feucht gelagert wird.

Es ist normal, dass sich im Laufe der Zeit etwas Staub und einige Partikel auf dem Hauptspiegel ansammeln. Sie haben keinen Einfluss auf die optische Leistung. Wenn der Hauptspiegel jedoch übermäßig verschmutzt ist, müssen Sie ihn reinigen.

Hauptspiegel reinigen:

1. Entfernen Sie die Hauptspiegelzelle vom Teleskoptubus, indem Sie die Schrauben am Tubus direkt über der Spiegelzelle entfernen (Abbildung 23). Dazu benötigen Sie den Kreuzschlitzschraubendreher.

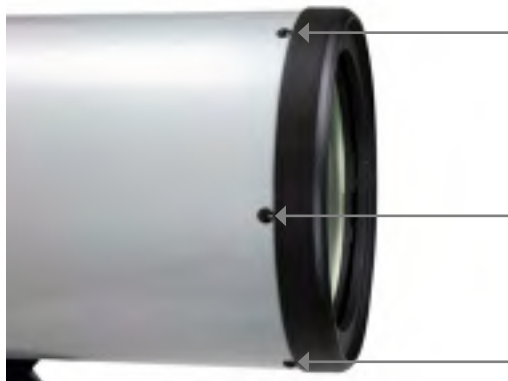


Abbildung 23: Um den Hauptspiegel zur Reinigung vom Teleskoptubus zu entfernen, entfernen Sie zuerst die Schrauben, die sich direkt über der Spiegelzelle befinden.

2. Ziehen Sie die Spiegelzelle vorsichtig vom Tubus ab.
3. Die Spiegeloberfläche liegt nun zur Reinigung frei. Wir empfehlen, den Hauptspiegel während der Reinigung in seiner Zelle zu belassen.
4. Verwenden Sie einen Puster und eine Optik-Reinigungsbürste, um größere Partikel und Staub zu entfernen. In manchen Fällen ist dies die einzige

erforderliche Reinigung.

5. Um Flecken und Öl zu entfernen, verwenden Sie Objektivreinigungsflüssigkeit und -tücher, um die Spiegeloberfläche zu säubern. Tragen Sie die Flüssigkeit auf das Tuch auf und wischen Sie vorsichtig über die Spiegeloberfläche. Wischen Sie dabei radial (d. h. von der Mitte des Spiegels zum Rand hin). Verwenden Sie für jeden Wischvorgang ein neues Tuch. Reiben Sie nicht, dadurch wird Öl normalerweise nur verteilt, anstatt es zu entfernen.
6. Wenn der Spiegel sauber ist, setzen Sie die Spiegelzelle wieder in den Teleskoptubus ein und ziehen die Schrauben fest.

Der Zweitspiegel ist oft nicht verschmutzt, da seine optische Oberfläche nach unten gerichtet ist. Wenn er jedoch gereinigt werden muss, kann er auf die gleiche Weise wie der Hauptspiegel gereinigt werden. Sie müssen den Zweitspiegel nicht aus dem Teleskop entfernen, um ihn zu reinigen. Richten Sie das Teleskop während der Reinigung waagrecht aus, damit keine Objekte auf den Hauptspiegel fallen können.

Sie können die freiliegenden optischen Oberflächen Ihrer Okulare auf die gleiche Weise wie oben beschrieben reinigen.

TECHNISCHE DATEN

Best.-Nr. 22470 Starsense Explorer 8" Dobson

Optisches Design	Newton-Reflektor
Blende	8" (203 mm)
Brennweite	1200 mm
Öffnungsverhältnis	F/5,9
Optische Beschichtungen	XLT-Reflexionsschichten mit Siliziumdioxid- und Tantalpentoxid-Schutzschichten für Haupt- und Zweitspiegel
Spiegelmaterial	Pyrex-Äquivalent für Haupt- und Zweitspiegel
Dicke des Hauptspiegels	25 mm (ca. 1:8 Dickenverhältnis)
Dicke des Zweitspiegels	8,5 mm
Nebenachse des Zweitspiegels	47 mm
Tubusmaterial	Stahl
Fokussierer	2" Crayford, einschließlich 2"-Verlängerungstubus und 2"-auf-1,25"-Adapter
Okular / Vergrößerung	25-mm-Plössl, 48-fach
Suchfernrohr	StarPointer Leuchtpunkt-Sucherfernrohr
Weitere Zubehörartikel	StarSense Explorer-Dock, Okularhalter, Kollimationskappe, Tragegriffe für OTA und Sockel, Ausrichtungsknopf, Staubschutzabdeckungen
Stativ	Azimutaler Dobson Sockel, einstellbarer Höhenwiderstand
Abmessungen des optischen Tubus	112 cm x 24 cm Durchmesser
Gewicht des optischen Tubus	9,3 kg.
Sockelabmessungen	60,9 cm x 48 cm x 48 cm
Sockelgewicht	10,3 kg.
Gesamtgewicht des Teleskop-Kits	19,7 kg.

TECHNISCHE DATEN

Best.-Nr. 22471 Starsense Explorer 10" Dobson

Optisches Design	Newton-Reflektor
Blende	10 Zoll (254 mm)
Brennweite	1200 mm
Öffnungsverhältnis	F/4,7
Optische Beschichtungen	XLT-Reflexionsschichten mit Siliziumdioxid- und Tantalpentoxid-Schutzschichten für Haupt- und Zweitspiegel
Spiegelmaterial	Pyrex-Äquivalent für Haupt- und Zweitspiegel
Dicke des Hauptspiegels	30 mm (ca. 1:8,5 Dickenverhältnis)
Dicke des Zweitspiegels	11,5 mm
Nebenachse des Zweitspiegels	64 mm
Tubusmaterial	Stahl
Fokussierer	2" Crayford, einschließlich 2"-Verlängerungstubus und 2"-auf-1,25"-Adapter
Okular / Vergrößerung	25-mm-Plössl, 48-fach
Suchfernrohr	StarPointer Leuchtpunkt-Sucherfernrohr
Weitere Zubehörartikel	StarSense Explorer-Dock, Okularhalter, Kollimationskappe, Tragegriffe für OTA und Sockel, Ausrichtungsknopf, Staubschutzabdeckungen
Stativ	Azimutaler Dobson Sockel, einstellbarer Höhenwiderstand
Abmessungen des optischen Tubus	112 cm x 29 cm Durchmesser
Gewicht des optischen Tubus	13,2 kg.
Sockelabmessungen	67,3 cm x 53,3 cm x 53,3cm"
Sockelgewicht	11,6 kg.
Gesamtgewicht des Teleskop-Kits	24,9 kg.

SONNENSTRAHLEN-WARNHINWEIS



- Niemals mit bloßem Auge oder mit einem Teleskop (außer bei Verwendung eines vorschriftsmäßigen Sonnenfilters) direkt in die Sonne schauen. Sie könnten permanente und irreversible Augenschäden davontragen.
- Das Teleskop keinesfalls zur Projektion eines Bildes der Sonne auf eine Oberfläche verwenden. Durch die interne Wärmeakkumulation können das Teleskop und etwaiges daran angeschlossenes Zubehör beschädigt werden.
- Niemals einen Okularsonnenfilter oder einen Herschelkeil verwenden. Die interne Wärmeakkumulation im Teleskop kann zu Rissen oder Brüchen dieser Instrumente führen. Dadurch könnte ungefiltertes Sonnenlicht ins Auge gelangen.
- Lassen Sie das Teleskop niemals unbeaufsichtigt. Achten Sie darauf, dass ein Erwachsener, der mit den richtigen Betriebsverfahren Ihres Teleskops vertraut ist, stets gegenwärtig ist, insbesondere wenn Kinder in der Nähe sind.

WARNUNG: BATTERIEN AUSSERHALB DER REICHWEITE VON KINDERN AUFBEWAHREN.

- Untersuchen Sie Geräte und stellen Sie sicher, dass das Batteriefach richtig befestigt ist, z. dass die Schraube oder ein anderes mechanisches Befestigungselement angezogen ist.
- Nicht verwenden, wenn das Fach nicht sicher ist.
- Entsorgen Sie gebrauchte Knopfzellen sofort und sicher. Leere Batterien können dennoch gefährlich sein.
- Informieren Sie andere über die mit Knopfzellen verbundenen Risiken und darüber, wie sie ihre Kinder schützen können.



celestron.com/pages/warranty

FCC-ERKLÄRUNG: Dieses Gerät wurde getestet und entspricht den Grenzwerten für digitale Geräte der Klasse B in Übereinstimmung mit Abschnitt 15 der FCC-Bestimmungen. Diese Grenzwerte sollen einen angemessenen Schutz vor schädlichen Störungen in einer Wohnumgebung bieten. Dieses Gerät erzeugt, verwendet Hochfrequenzenergie und kann diese ausstrahlen und kann, wenn es nicht in Übereinstimmung mit den Anweisungen installiert und verwendet wird, Störungen im Funkverkehr verursachen. Allerdings gibt es keine Garantie, dass bei einer bestimmten Installation keine Störungen auftreten werden. Wenn dieses Gerät den Radio- oder Fernsehempfang stört, was ermittelt werden kann, indem man das Gerät ein- und ausschaltet, so sollte der Benutzer die Störungen auf eine oder mehrere der folgenden Maßnahmen beheben:

- Neuausrichtung oder Neuplatzierung der Empfangsantenne.
- Den Abstand zwischen dem Gerät und dem Empfänger vergrößern.
- Schließen Sie das Gerät an eine Steckdose an, die nicht an den Stromkreis des Empfängers angeschlossen ist.
- Den Händler oder einen erfahrenen Radio- und Fernsehtechniker um Hilfe bitten.

Dieses Gerät erfüllt Teil 15 der FCC-Richtlinien. Der Betrieb unterliegt den folgenden beiden Bedingungen: (1) Dieses Gerät darf keine schädlichen Störungen erzeugen und (2) dieses Gerät muss Störungen von außen akzeptieren, dazu gehören solche Störungen, die einen unerwünschten Betrieb verursachen.

Bitte beachten Sie, dass Änderungen oder Modifikationen an diesem Gerät, die nicht ausdrücklich vom Hersteller zugelassen sind, zum Verlust der allgemeinen Betriebszulassung führen können.

Produktdesign und technische Daten können ohne vorherige Ankündigung geändert werden. Dieses Produkt wurde für die Verwendung durch Personen von 14 Jahren und darüber entworfen und vorgesehen.

Brauchen Sie Unterstützung?

Wenden Sie sich an die technische Unterstützung von Celestron durch Aufrufen von celestron.com/pages/technical-support

celestron.com

© 2022 Celestron ▪ Alle Rechte vorbehalten ▪ celestron.com
2835 Columbia Street ▪ Torrance, CA 90503 USA.

0522

CELESTRON



StarSense Explorer™ DOB



MANUALE DI ISTRUZIONI

STARSENSE EXPLORER 8" DOBSON 22470

STARSENSE EXPLORER 10" DOBSON 22471

INTRODUZIONE

Complimenti per aver acquistato il telescopio StarSense Explorer dobson (SSE Dob). Il telescopio SSE Dob combina grandi ottiche a un aggancio e un'app StarSense Explorer che rendono facile e divertente la ricerca e l'osservazione di tutti i corpi celesti. È possibile individuare oggetti deboli del profondo cielo, galassie, nebulose, ammassi stellari e tanto altro, e posizionarli in pochi secondi nel campo visivo dell'oculare. Un ampio specchio primario raccoglie grandi quantità di luce, consentendo di accedere a dettagli degli oggetti mai visti prima.

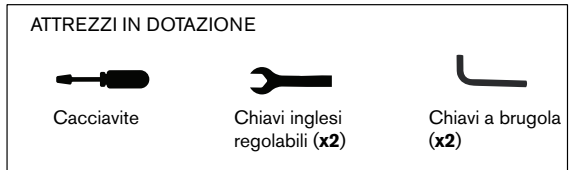
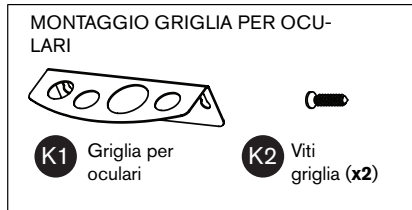
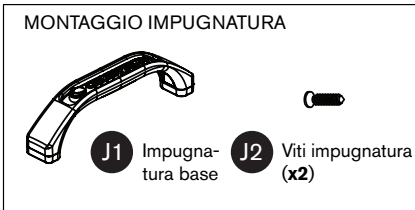
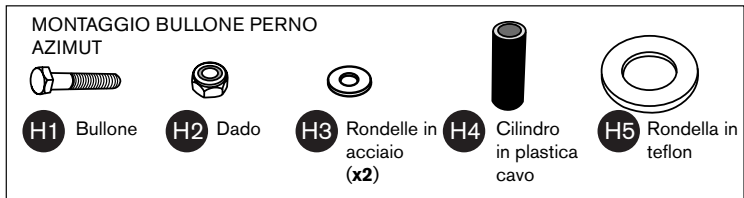
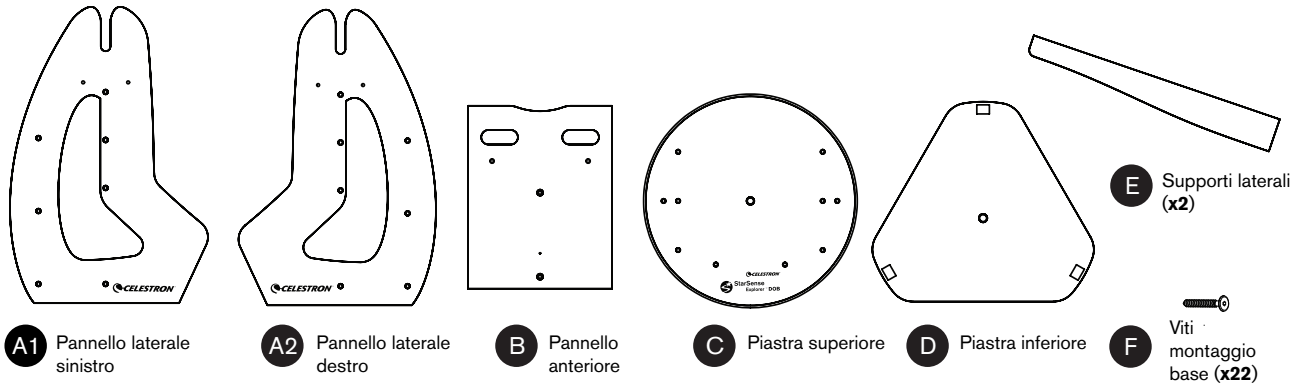
Prima di portare all'esterno lo StarSense Explorer Dob per la prima osservazione notturna, si consiglia di leggere per intero il presente manuale. Ciò consente di comprendere appieno le funzioni del telescopio e di sapere cosa aspettarsi.

INDICE

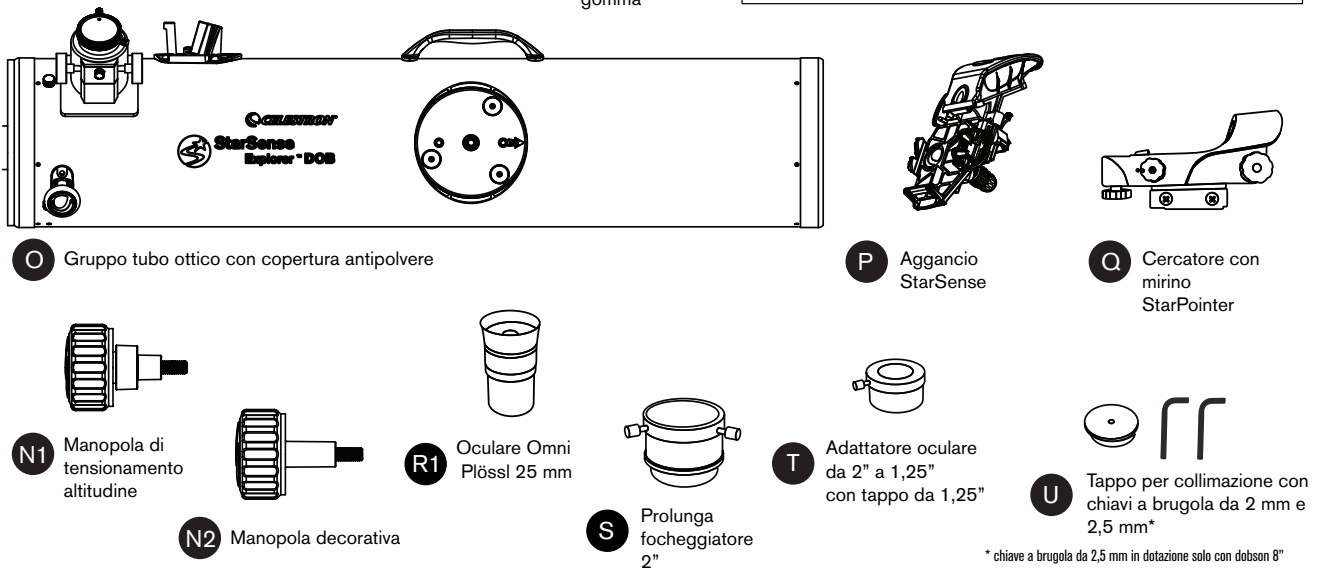
Contenuto della confezione	64
Montaggio montatura	65
Montaggio telescopio	66
Come puntare il telescopio	67
Messa a fuoco	68
Utilizzo dello StarPointer	69
Aggancio e app StarSense Explorer	70
Selezione ingrandimento e oculari	71
Raffreddamento delle ottiche del telescopio	71
La prima osservazione notturna - Cosa aspettarsi	72
Adattamento al buio e inquinamento luminoso	73
Utilizzo dei filtri	73
Collimazione delle ottiche	74
Trasporto	76
Cura e Manutenzione	77
Specifiche Starsense Explorer 8" dobson	78
Specifiche Starsense Explorer 10" dobson	79
Avvertenza solare	80

CONTENUTO DELLA CONFEZIONE

Confezione 1 - Base dobson



Confezione 2 - Gruppo tubo ottico



* chiave a brugola da 2,5 mm in dotazione solo con dobson 8"

NOTA: per la collimazione delle ottiche del telescopio (p74)

MONTAGGIO MONTATURA

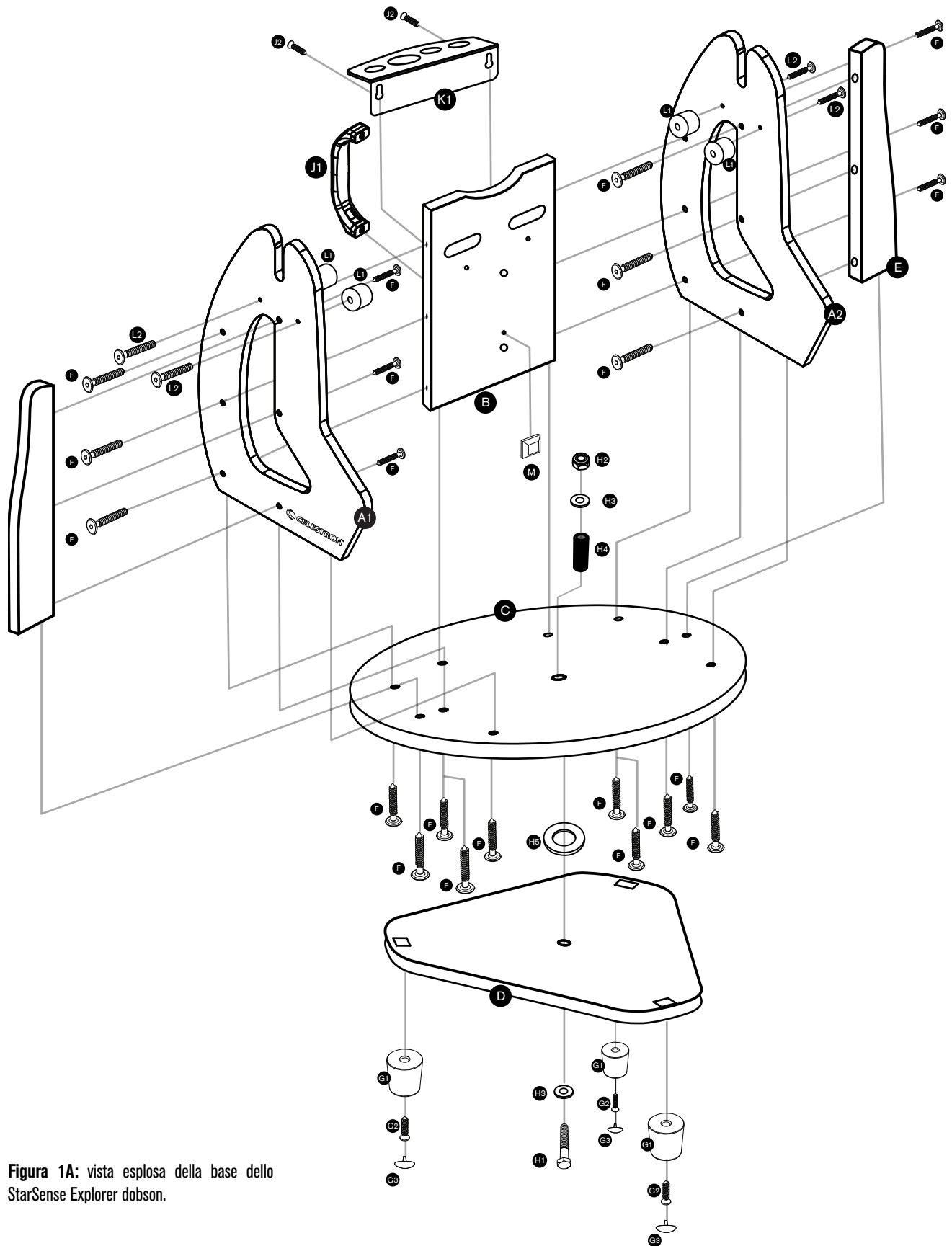


Figura 1A: vista esplosa della base dello StarSense Explorer dobson.

MONTAGGIO TELESCOPIO

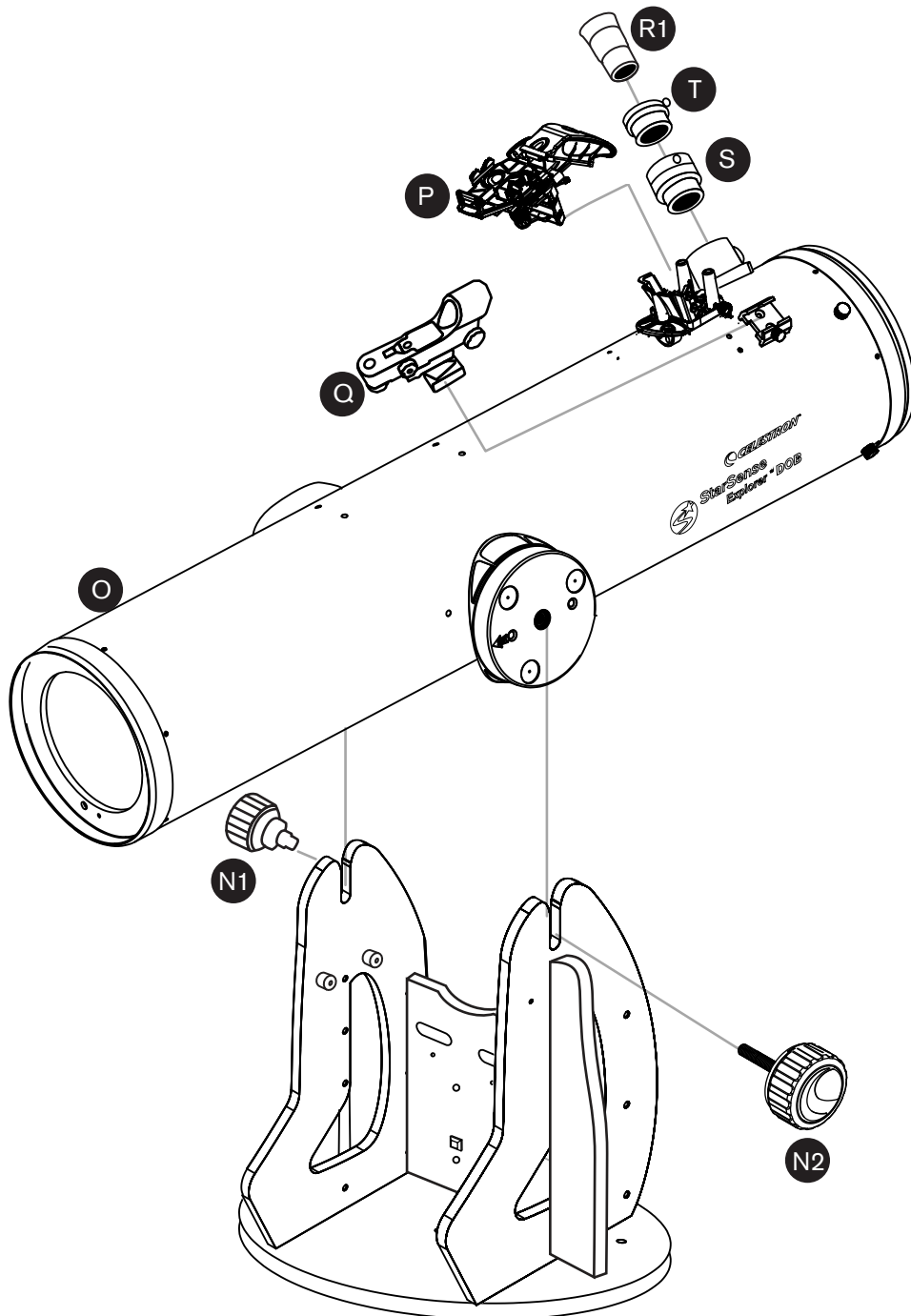


Figura 1B: vista esplosa del gruppo tubo ottico dello StarSense Explorer.

Consultare la Figura 1 per informazioni su come assemblare i componenti dello SSE Dob.

Per un elenco completo dei componenti e le istruzioni di montaggio, consultare la Guida rapida cartacea inclusa nella confezione oppure la pagina relativa al telescopio SSE Dob su www.celestron.com

COME PUNTARE IL TELESCOPIO

Le basi dobsoniane sono montature altazimutali. Ciò significa che il telescopio si sposta in due direzioni: su-giù (altitudine) e sinistra-destra (azimut) (Figura 2).



Figura 2: i telescopi StarSense Explorer dobson si spostano lungo due assi: altitudine (su-giù) e azimut (sinistra-destra).

Puntare il dobson verso un oggetto è facile. Spostare semplicemente il tubo del telescopio verso su-giù e verso sinistra-destra fino a quando il telescopio è puntato verso l'oggetto desiderato e questo appare nell'oculare. La manopola di rotazione nella parte anteriore del tubo del telescopio è ideale per afferrare il tubo e puntarlo (Figura 3). Utilizzare questa manopola impedisce inoltre al calore della mano di penetrare nel percorso ottico, distorcendo temporaneamente la visuale.



Figura 3: la manopola di rotazione è ideale per poggiare le dita e afferrare il telescopio per puntarlo.

È possibile regolare la tensione lungo l'asse dell'altitudine ruotando la manopola posta sullo stesso lato del focheggiatore del telescopio, la manopola di tensionamento dell'altitudine (Figura 4).



Figura 4: il tensionamento dell'altitudine può essere regolato mediante l'apposita manopola. (NOTA: l'altra manopola sul lato opposto non serve per regolare il tensionamento dell'altitudine).

Ruotare la manopola per aggiungere abbastanza tensione per consentire un movimento uniforme verso su-giù. Nella maggior parte delle circostanze non occorre aggiungere molta tensione. Il telescopio è già in equilibrio per un normale utilizzo. Tuttavia, se si utilizza un oculare pesante o un grande smartphone, potrebbe essere necessario aggiungere maggiore tensione in modo che il telescopio rimanga fermo se non viene toccato.

MESSA A FUOCO

I telescopi SSE Dob sono forniti in dotazione con un focheggiatore Crayford da 2", una prolunga da 2" e un adattatore per oculare da 2" a 1,25". Grazie a questi tre elementi è virtualmente possibile utilizzare qualsiasi tipo di oculare con il telescopio SSE Dob.

Per la maggior parte degli oculari assicurarsi che la prolunga da 2" sia in posizione sul focheggiatore. In caso contrario, l'oculare non raggiungerà la messa a fuoco. Se si utilizza un oculare che richiede un elevato percorso verso l'interno per la messa a fuoco, rimuovere la prolunga da 2". Potrebbe essere necessario rimuovere la prolunga se si desidera utilizzare il dobson con una fotocamera per catturare immagini astronomiche.

Se si desidera utilizzare un oculare di misura 1,25", occorre impiegare l'adattatore per oculare da 2" a 1,25". Sistemarlo semplicemente sul focheggiatore (con fissata la prolunga da 2"), quindi sistemare l'oculare da 1,25" nell'adattatore. Serrare la vite di fissaggio sull'adattatore per tenere l'oculare in posizione. L'adattatore presenta un anello di compressione interno in ottone in modo da non graffiare o rovinare il cilindro dell'oculare.

Per mettere a fuoco, ruotare le apposite manopole in senso orario o antiorario fino ad ottenere una messa a fuoco nitida dell'oggetto nell'oculare del telescopio. Per bloccare la posizione del focheggiatore una volta raggiunta la messa a fuoco, serrare la vite di fissaggio del blocco della messa a fuoco (Figura 5). Se occorre regolare il tensionamento della manopola di messa a fuoco, è possibile serrare o allentare la vite di tensionamento del focheggiatore mediante la chiave a brugola in dotazione.



Figura 5: la vite di blocco della messa a fuoco blocca il focheggiatore in posizione una volta raggiunta la messa a fuoco. La vite di tensionamento della messa a fuoco regola la tensione delle manopole di messa a fuoco.

Poiché il telescopio SSE Dob è un riflettore newtoniano, le immagini visualizzate appaiono capovolte e a specchio rispetto a quanto visualizzato a occhio nudo (Figura 6). Sebbene ciò abbia poca rilevanza durante l'osservazione astronomica, potrebbe creare qualche confusione nel caso di osservazioni di oggetti sulla Terra.



VISTA A OCCHIO NUDO



VISTA ATTRAVERSO UN TELESCOPIO RIFLETTORE NEWTONIANO

Figura 6: come tutti i riflettori newtoniani, il telescopio SSE Dob produce immagini che sono a specchio e capovolte rispetto a quanto visualizzato a occhio nudo.

UTILIZZO DELLO STARPOINTER

Sebbene non sia necessario fare affidamento sul cercatore con mirino StarPointer quando si utilizza l'app StarSense Explorer, può aiutare ad allineare l'app con il telescopio. Lo StarPointer è utile anche quando si localizzano oggetti durante il giorno, poiché l'app funziona solo di notte.

Per allineare lo StarPointer, innanzitutto puntare il telescopio su un oggetto distante almeno 400 metri. Si consiglia di effettuare l'allineamento durante il giorno. Scegliere un albero, un cartello, un edificio o un elemento caratteristico che siano distanti. Se si esegue l'allineamento di notte, è possibile utilizzare un lampione, la Luna, una stella luminosa o un pianeta.

Una volta puntato il telescopio verso l'oggetto, verificare che appaia nell'oculare. Quindi accendere lo StarPointer mediante la ghiera a LED (Figura 7).

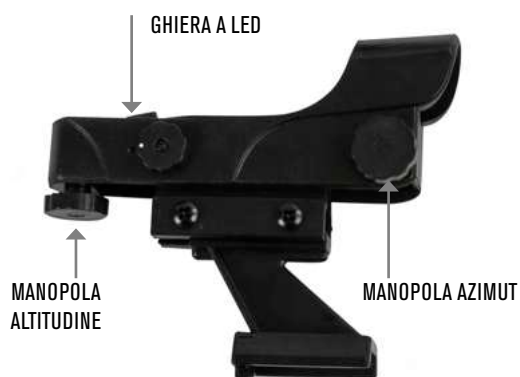


Figura 7: il cercatore con mirino StarPointer.

Aumentare il livello di luminosità fino a visualizzare facilmente il mirino. Ora, senza muovere il telescopio, utilizzare le manopole di regolazione di altitudine e azimut dello StarPointer per centrare il mirino sullo stesso oggetto già centrato nell'oculare del telescopio. Al termine, verificare che l'oggetto sia ancora centrato nell'oculare del telescopio. In caso affermativo, l'allineamento dello StarPointer è avvenuto con successo. In caso negativo, spostare il telescopio in modo da centrare nuovamente l'oggetto nell'oculare. Continuare a utilizzare le manopole di regolazione di altitudine e azimut per centrare nuovamente il mirino sull'oggetto.

Spegnerlo StarPointer quando non in uso per preservare la batteria. Sebbene la batteria dello StarPointer duri parecchio, dovrà alla fine essere sostituita con una batteria al litio a bottone CR2032 da 3 V. Sono batterie molto comuni disponibili presso la maggior parte dei rivenditori.

Per sostituire la batteria procedere come segue.

1. Utilizzare un cacciavite a croce per rimuovere la vite di sicurezza del coperchio della batteria (Figura 8).



Figura 8: per aprire il coperchio della batteria dello StarPointer, rimuovere innanzitutto la vite di sicurezza.

2. Rimuovere la batteria scarica dal vano batteria. Potrebbe essere necessario utilizzare un coltello o un cacciavite per fare leva sulla batteria ed estrarla dal supporto.

3. Inserire la nuova batteria in modo che il lato positivo sia rivolto verso di sé. Assicurarsi che la batteria sia posizionata correttamente nel vano batteria (Figura 9).



Figura 9: When the battery is properly seated in the compartment as shown, the battery cover should be easy to reinstall.

4. Chiudere il vano batteria e posizionare nuovamente la vite di sicurezza.

AGGANCIO E APP STARSSENSE EXPLORER

Forse le caratteristiche più entusiasmanti del telescopio StarSense Explorer dobson sono l'aggancio StarSense Explorer e l'app per smartphone StarSense Explorer. Con l'app come guida, sarà possibile passare più tempo a osservare gli oggetti piuttosto che perdere tempo a cercarli tra miriadi di stelle. Il telescopio Celestron StarSense Explorer è l'unico dobson che presenta questa incredibile funzione.

Innanzitutto scaricare l'app da Apple App Store (iOS) o Google Play (Android) e installarla. Sono elencati anche i requisiti minimi di sistema. In caso di domande relative alla compatibilità del proprio smartphone con l'app, visitare celestron.com/SSE

Una volta scaricata l'app, utilizzare il codice di sblocco dell'app che si trova nella scheda inclusa con il telescopio (Figura 10).

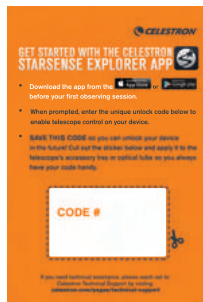


Figura 10: il codice di sblocco dell'app StarSense Explorer è stampato sulla scheda inclusa con il telescopio.

Ogni codice consente di abilitare un massimo di cinque dispositivi per godere delle funzionalità StarSense Explorer. Se si utilizza il codice per cinque volte e si desidera sbloccare l'app su più dispositivi, contattare il supporto tecnico Celestron su celestron.com/pages/technical-support per ulteriori opzioni.

Una volta sbloccata l'app, tutto è pronto per iniziare. Sistemare lo smartphone sull'aggancio StarSense Explorer e premere l'icona StarSense in basso nella schermata del planetario (Figura 11).

Scegliere l'opzione "ALLINEAMENTO NECESSARIO" e seguire le istruzioni sullo schermo per allineare la fotocamera dello smartphone al telescopio. Una volta completata la procedura, è possibile utilizzare l'app per localizzare gli oggetti.

Selezionare un oggetto da osservare dal planetario oppure dall'elenco "Il meglio di oggi". Appaiono delle frecce sullo schermo che conducono all'oggetto. Seguire le frecce fino a quando il bersaglio diventa verde e l'oggetto si trova nel campo visivo dell'oculare. È davvero semplice!

Durante l'osservazione, è possibile accedere a informazioni dettagliate sull'oggetto. Centinaia di oggetti tra i più popolari offrono inoltre una presentazione audio. Per ascoltare, premere la barra in basso nello schermo che contiene il nome dell'oggetto (Figura 12).



Figura 11: una volta sbloccata l'app StarSense Explorer, premere l'icona StarSense per iniziare a trovare oggetti.



Figura 12: premere la Barra info oggetto per ottenere informazioni aggiuntive sull'oggetto selezionato, comprese immagini e presentazioni audio per molti oggetti.

SELEZIONE INGRANDIMENTO E OCULARI

Per modificare l'ingrandimento del telescopio, occorre cambiare oculare nel focheggiatore del telescopio. Per calcolare l'ingrandimento che si può ottenere con un determinato oculare, utilizzare la seguente formula:

$$\frac{\text{Lunghezza focale del telescopio} \div \text{Lunghezza focale dell'oculare}}{=} \text{Ingrandimento}$$

Il telescopio SSE Dob ha una lunghezza focale di 1200 mm. È dotato di un oculare Omni Plössl da 25 mm. Utilizzando la formula è possibile calcolare che questa combinazione porta a un ingrandimento di 48x (1200 mm ÷ 25 mm = 48x). Questo ingrandimento è eccellente per localizzare e osservare oggetti del profondo cielo con un ampio campo. Considerare l'acquisto di un oculare con maggiore ingrandimento, ad es. Omni Plössl da 10 mm, per osservazioni a maggiore potenza della Luna e dei pianeti. Tuttavia, non aumentare troppo l'ingrandimento per evitare la degradazione della visuale a causa di condizioni di visibilità atmosferica (ad es. turbolenza dell'aria).

Il massimo ingrandimento per un qualsiasi telescopio è di circa 60 volte ogni pollice, pari a 480x per il telescopio SSE Dob 8" e 600x per il telescopio SSE Dob 10". In molte località, tuttavia, è difficile ottenere immagini nitide con ingrandimenti maggiori di 100x a causa della turbolenza nell'aria. Se si nota che le stelle sopra di sé sono molto luccicanti, le condizioni di visibilità sono scarse. Meglio attenersi a un ingrandimento inferiore. Se le stelle risplendono in maniera fissa, le condizioni di visibilità sono buone. È possibile provare a utilizzare oculari con un maggiore ingrandimento.

I telescopi SSE Dob possono accettare oculari di formato 1,25" e 2". Gli oculari da 2" forniscono generalmente un più ampio campo visivo, ma sono significativamente più costosi. Per usare l'oculare da 2", rimuovere l'adattatore da 2" a 1,25" dal focheggiatore e inserire l'oculare direttamente nella prolunga da 2". Fissare l'oculare con le apposite viti sulla prolunga da 2".

La griglia per oculari posta nella parte anteriore della base è un luogo ideale in cui sistemare gli oculari quando non in uso. Può contenere tre oculari da 1,25" e un oculare da 2" (Figura 13).



Figura 13: la griglia per oculari è un luogo ideale in cui conservare oculari aggiuntivi durante la sessione di osservazione.

RAFFREDDAMENTO DELLE OTTICHE DEL TELESCOPIO

È possibile ottenere osservazioni ottimali dal telescopio quando questo ha raggiunto l'equilibrio termico con l'aria circostante. Se il telescopio è più caldo dell'aria, lo specchio deve acclimatarsi alla temperatura e l'immagine muterà. Le immagini osservate attraverso un telescopio che non si è raffreddato non appaiono nitide come dovrebbero. Se si trasporta il telescopio da un'abitazione riscaldata all'esterno, attendere circa un'ora prima di poter ottenere immagini nitide. Per questa ragione si consiglia di conservare il telescopio in un luogo asciutto ma non riscaldato come un garage o una casetta degli attrezzi.

Per il telescopio SSE Dob 10" è disponibile una ventola di raffreddamento USB opzionale per dobson. Si monta sul retro della cella dello specchio e soffia aria nello specchio per velocizzare il raffreddamento (Figura 14).

La ventola consente alle ottiche di raggiungere l'equilibrio termico più velocemente. (Il telescopio SSE Dob 8" non è dotato di una montatura per ventola, pertanto non è compatibile con la ventola di raffreddamento.)



Figura 14: la ventola di raffreddamento USB opzionale per dobson è compatibile con il telescopio SSE Dob 10".

LA PRIMA OSSERVAZIONE NOTTURNA - COSA ASPETTARSI

È possibile osservare letteralmente migliaia di oggetti con la maggiore apertura dei telescopi SSE Dob.

La Luna

Osservare la superficie della Luna è un ottimo inizio. È facile osservare crateri, mari, laghi, valli, montagne e altre caratteristiche. La Luna è così luminosa da considerare eventualmente l'utilizzo di un filtro lunare opzionale. Si avvista alla base dell'oculare per ridurre la luminosità. Si consiglia inoltre un oculare a elevata potenza per consentire un'esplorazione ravvicinata della Luna.

Pianeti

I migliori pianeti da osservare sono Giove, Saturno, Marte e Venere. Un oculare a elevata potenza contribuisce a visualizzare i dettagli più piccoli. È possibile vedere gli anelli di Saturno, i dettagli della superficie di Giove e i suoi satelliti, le fasi di Venere e magari qualche dettaglio della superficie di Marte quando è in opposizione alla Terra (cioè più vicino).

Stelle e Stelle Doppie

Le stelle appaiono come punti di luce a prescindere dall'ingrandimento utilizzato. Tuttavia, un telescopio può rivelare il colore di una stella e anche "dividere" stelle doppie utilizzando ingrandimenti maggiori. Per stelle variabili, provare a rilevare i cambi di luminosità in un periodo di tempo di giorni o settimane.

Ammassi Stellari Aperti

Questi sono gruppi di stelle che si sono formati insieme all'interno della nostra galassia, la Via Lattea. Possono apparire spettacolari nell'oculare del telescopio, anche in cieli con un qualche inquinamento luminoso. Gli astronomi spesso descrivono gli ammassi stellari visibili nell'oculare del telescopio come "diamanti polverizzati su velluto nero". Gli ammassi sono in genere visibili meglio con oculari a bassa potenza e richiedono di solito un ampio campo visivo per poterli visualizzare per intero.

Ammassi Stellari Globulari

Si tratta di fitti ammassi composti da centinaia di migliaia di stelle formati presto all'interno della nostra galassia. Questi ammassi appaiono come sfere di luce. In quelli più luminosi è possibile distinguere le singole stelle in buone condizioni. La maggior parte degli ammassi globulari sono osservabili meglio con un oculare a media potenza, poiché non sono ampi come gli ammassi aperti, ma nemmeno abbastanza luminosi per usare una potenza elevata.

Nebulose

In generale è necessario trovarsi in totale oscurità per osservare le nebulose gassose che appaiono come un debole bagliore intorno alle stelle. Non ci si deve aspettare di osservare nebulose all'interno delle città, ad eccezione di quelle più luminose, come la Nebulosa di Orione e la Nebulosa Laguna.

Galassie

Forse gli oggetti più spettacolari da osservare, le galassie sono come "universi isola" rispetto a se stesse. Sebbene sia possibile rilevare le galassie più luminose, come la Galassia di Andromeda, da cieli con un qualche inquinamento luminoso, è meglio osservarle in totale oscurità. Centinaia di galassie sono letteralmente alla portata di osservazione del telescopio SSE Dob. Le migliori mostrano dettagli come deboli spirali e bande di polveri. Molte, tuttavia, appaiono come "strisce" o "chiazze" non stellari. Nonostante ciò, anche riuscire a osservare un'altra galassia al di fuori della nostra è comunque una soddisfazione.

Una cosa da tenere a mente è il fatto che i telescopi SSE Dob non sono motorizzati. Ciò significa che non seguono automaticamente i corpi celesti con il ruotare della Terra. Di conseguenza, l'oggetto si sposta leggermente durante l'osservazione e scompare dal campo visivo dell'oculare entro un minuto o due, a seconda dell'ingrandimento utilizzato. Gli oggetti scompaiono più velocemente dal campo visivo di oculari a elevata potenza poiché il loro campo visivo è più stretto. Occorre spostare manualmente il dobson per mantenere centrati gli oggetti col passare del tempo. Ciò è semplice. Basta afferrare la manopola di rotazione del telescopio e spostarlo leggermente verso su-giù e verso sinistra-destra come necessario.

ADATTAMENTO AL BUIO E INQUINAMENTO LUMINOSO

Occorre almeno mezz'ora all'occhio umano per adattarsi all'oscurità, pertanto non ci si può aspettare di osservare subito dettagli di oggetti deboli del profondo cielo non appena usciti all'esterno. Durante l'osservazione evitare le luci (ad esempio passare dall'esterno all'interno di una casa illuminata) perché, in tal caso, gli occhi avranno bisogno di tempo per riadattarsi al buio. Utilizzare torce progettate per l'osservazione astronomica poiché la luce rossa non ha effetti sulla visione notturna. Anche la Luna ha effetti sull'adattamento al buio, pertanto, se si osserva la Luna, occorre del tempo per ottenere nuovamente la visione notturna.

L'inquinamento luminoso locale riduce fortemente l'aspetto e il contrasto di oggetti del profondo cielo più deboli nel telescopio. Non aspettarsi di vedere molti dettagli all'interno delle città. Le migliori osservazioni si ottengono in totale oscurità lontano dalle luci notturne di aree urbane e periferiche. Oggetti luminosi come la Luna, i pianeti e gli ammassi stellari aperti luminosi non subiscono tanto gli effetti dell'inquinamento luminoso, pertanto sono oggetti ottimali per un'osservazione in città a prescindere dal proprio punto di osservazione. Tenere inoltre presente che la Luna stessa può illuminare parte del cielo di notte, impedendo l'osservazione di oggetti deboli anche in assenza di inquinamento luminoso. Pertanto, pianificare l'osservazione di oggetti del profondo cielo quando la Luna non è visibile.

UTILIZZO DEI FILTRI

Sperimentare l'aggiunta di filtri opzionali alla propria configurazione per migliorare l'osservazione. I filtri astronomici si avvitano alla base dell'oculare e hanno in genere i formati di 1,25" e 2". Rimuovere semplicemente l'oculare dal foceggiatore, avvitare il filtro alla base del cilindro dell'oculare, quindi inserire nuovamente il foceggiatore.

Sono disponibili numerosi filtri tra cui scegliere.

Filtro lunare – Essenziale per osservare i dettagli della Luna, questo filtro riduce il bagliore e rende più deboli gli oggetti luminosi.

Polarizzatore variabile – Simile a un filtro lunare, un polarizzatore riduce la luminosità. La differenza chiave è la possibilità di personalizzare la riduzione di luminosità ruotando il polarizzatore.

Filtri colorati – Disponibili in diversi colori, consentono di migliorare il contrasto durante l'osservazione di dettagli dei pianeti.

Filtri inquinamento luminoso – Se si osservano oggetti del profondo cielo da una posizione urbana o periferica, questi migliorano il contrasto bloccando la luce "cattiva" derivante dall'inquinamento luminoso locale, lasciando passare la luce "buona" proveniente dagli oggetti del profondo cielo. È possibile osservare un netto miglioramento nel contrasto quando si osservano le nebulose.

COLLIMAZIONE DELLE OTTICHE

La collimazione è la procedura di allineamento delle ottiche del telescopio. I telescopi dobson utilizzano il design ottico di un riflettore newtoniano che comprende uno specchio primario parabolico e uno specchio secondario piatto. Per garantire prestazioni ottimali, verificare periodicamente l'allineamento delle ottiche. Per facilitare ciò è stato incluso in dotazione un speciale "tappo per collimazione" da poter utilizzare. Inoltre, lo specchio principale è segnato al centro con un'etichetta tonda adesiva per aiutare la collimazione.

Per verificare l'allineamento degli specchi, rimuovere innanzitutto gli oculari. Assicurarsi che sia installato nel focheggiatore l'adattatore da 2" a 1,25". Quindi sistemare il tappo per collimazione nel focheggiatore (Figura 15).



Figura 15: per verificare l'allineamento degli specchi, utilizzare il tappo per collimazione in dotazione nel focheggiatore.

Guardare attraverso il piccolo foro al centro del tappo per collimazione. La Figura 16 mostra ciò che dovrebbe essere visibile. In caso contrario, occorre operare delle regolazioni all'allineamento degli specchi.

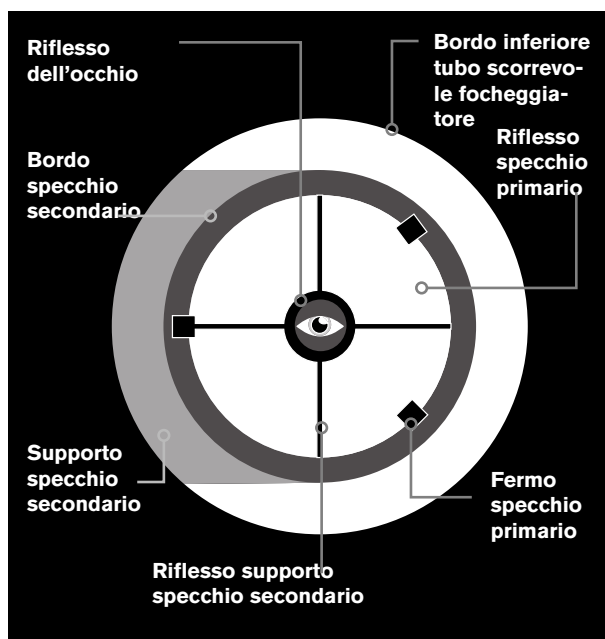


Figura 16: se il telescopio è allineato correttamente, la vista attraverso il tappo per collimazione dovrebbe apparire come l'immagine sopra.

È più facile effettuare la collimazione del telescopio durante il giorno con il telescopio puntato verso una parete vuota. Ciò fornisce una vista a elevato contrasto, rendendo più semplice capire quali regolazioni occorre fare. Utilizzare la/chave/i a brugola in dotazione per effettuare le regolazioni. Il telescopio SSE Dob 8" viene fornito con chiavi a brugola da 2 mm e 2,5 mm. Il telescopio SSE Dob 10" viene fornito con un'unica chiave a brugola da 2 mm. Per il telescopio SSE Dob 8" occorre inoltre utilizzare il cacciavite a croce fornito in dotazione.

Innanzitutto regolare lo specchio secondario nella parte anteriore del telescopio mediante la chiave a brugola da 2 mm.

1. Dovrebbe essere possibile vedere il riflesso dell'intero specchio primario nello specchio secondario come mostrato nella Figura 16.

In caso contrario (come nella Figura 17, per esempio), utilizzare le tre viti a brugola nel supporto dello specchio secondario per regolare l'inclinazione dello specchio secondario (Figura 18).

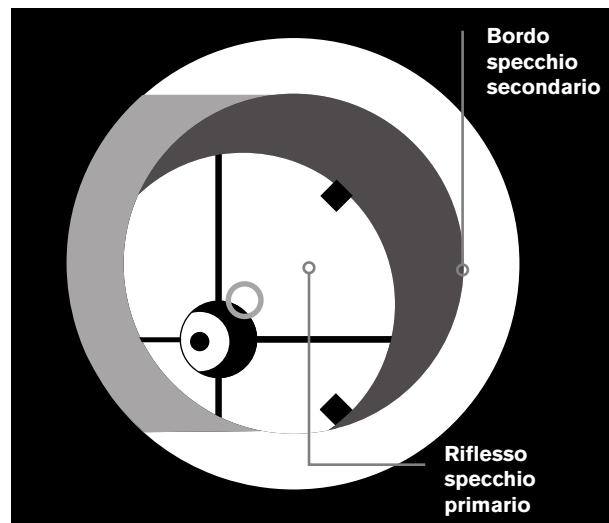


Figura 17: se il riflesso dello specchio primario non è centrato nello specchio secondario come mostrato sopra, occorre regolare l'inclinazione dello specchio secondario.



Figura 18: le tre viti a brugola nel supporto dello specchio secondario regolano l'inclinazione dello specchio secondario.

- a. Regolare una vite alla volta. Effettuare solo piccole regolazioni.
 - b. Se una vite è troppo stretta o troppo allentata, effettuare regolazioni alle altre viti per compensare.
2. Continuare a regolare le viti fino a quando lo specchio primario appare centrato nello specchio secondario (Figura 19). Al termine, assicurarsi che tutte e tre le viti siano serrate.

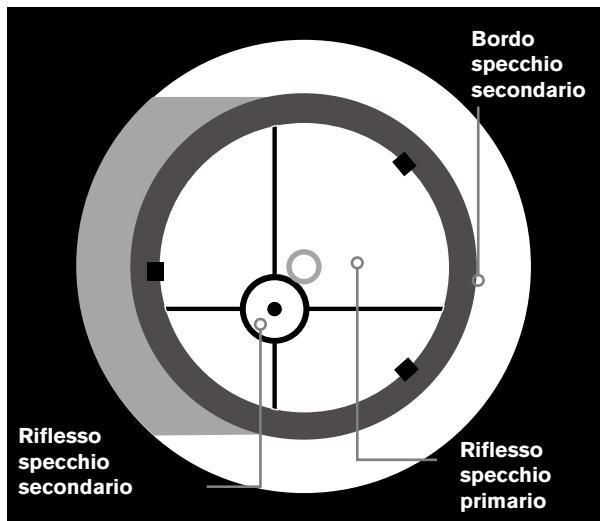


Figura 19: continuare a effettuare regolazioni all'inclinazione dello specchio secondario fino a quando il riflesso dello specchio primario è centrato come mostrato nell'immagine sopra.

3. Quindi, regolare l'inclinazione dello specchio primario fino a quando il riflesso dello specchio secondario è centrato all'interno del riflesso dello specchio primario.

Per il dobson 8", utilizzare la chiave a brugola da 2,5 mm e il cacciavite a croce per inclinare lo specchio primario. Sono presenti tre coppie di viti di collimazione. Ogni coppia lavora insieme per regolare l'inclinazione.

1. Regolare una coppia di viti alla volta. Iniziare allentando una delle viti della coppia e serrando l'altra (Figura 20).



Figura 20: per il dobson 8", sono presenti tre set di viti push-pull nella cella dello specchio che regolano l'inclinazione dello specchio primario. Allentare una vite della coppia e serrare l'altra per regolare l'inclinazione.

- 2. Se lo specchio si inclina in direzione opposta a quella desiderata, allentare la vite precedentemente serrata e serrare l'altra vite della coppia.
- 3. Una volta regolato quanto desiderato un paio di viti, passare a un'altra coppia di viti.
- 4. Continuare a regolare fino a quando il riflesso dello specchio secondario è centrato all'interno del riflesso dello specchio primario. Al termine, la vista attraverso il tappo per collimazione deve apparire come in Figura 16.

Per il dobson 10", non occorrono attrezzi per inclinare lo specchio primario. Regolare semplicemente le viti di fissaggio. Tre delle viti di fissaggio sono viti di blocco, mentre le altre tre regolano l'inclinazione.

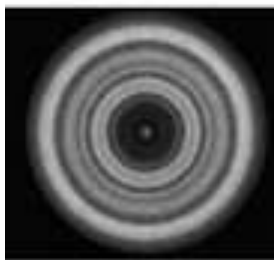
1. Iniziare allentando tutte e tre le viti di blocco (Figura 21).



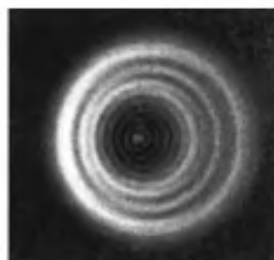
Figura 21: per il dobson 10", sono presenti tre set di viti di collimazione caricate a molla che regolano l'inclinazione dello specchio primario. Le altre tre viti di fissaggio bloccano lo specchio in posizione una volta ultimate le regolazioni all'inclinazione.

2. Regolare le viti di collimazione una alla volta. Ciascuna vite di collimazione è caricata a molla in modo da poter essere ruotata in senso orario o antiorario.
3. Continuare a regolare le viti fino a quando il riflesso dello specchio secondario è centrato all'interno del riflesso dello specchio primario.
4. Serrare nuovamente le tre viti di blocco fino a ottenere una tenuta salda.
5. Al termine, la vista attraverso il tappo per collimazione deve apparire come in Figura 16.

Le ottiche del telescopio sono allineate e pronte all'uso. È anche possibile confermare l'allineamento del telescopio di notte puntandolo verso una stella luminosa con un elevato ingrandimento. Centrare la stella nel campo visivo e diminuire leggermente la messa a fuoco; dovrebbe apparire come un cerchio con un foro al centro. (Il "foro" è l'ombra dello specchio secondario.) Se il foro non è centrato nel cerchio, occorre effettuare ulteriori regolazioni per la collimazione (Figura 22).



**COLLIMAZIONE
CORRETTA**



REGOLAZIONE NECESSARIA

Figura 23: per rimuovere lo specchio primario dal tubo del telescopio per la pulizia, rimuovere innanzitutto le viti poste appena al di sopra della cella dello specchio.

TRASPORTO

Trasportare lo StarSense Explorer dobson è facile, specialmente considerate le sue dimensioni. Innanzitutto rimuovere il tubo del telescopio dalla base allentando la manopola di tensionamento dell'altitudine e sollevando il tubo. È possibile trasportare separatamente il tubo e la base utilizzando le relative impugnature integrate. Le impugnature sono posizionate in modo tale da bilanciare il carico, pertanto nessuno dei due componenti sarà difficile da trasportare.

CURA E MANUTENZIONE

Conservare il telescopio al chiuso in un luogo asciutto. Un garage rappresenta il luogo ideale; la temperatura delle ottiche è vicina a quella dell'ambiente esterno in modo che non sia necessario molto tempo per acclimatarsi. Mantenere la copertura antipolvere sulla parte anteriore del telescopio e il tappo sul focheggiatore quando il telescopio non è in uso. In caso contrario, polvere e particelle possono accumularsi sulle ottiche.

Se il telescopio presenta della condensa, asciugare l'esterno del tubo del telescopio e la base con un asciugamano prima di riporlo. Sebbene una piccola quantità di condensa all'esterno del tubo e della base non provochi danni al telescopio, conservarlo ancora umido per un periodo prolungato può causare corrosione o danni dovuti all'umidità. La base in legno presenta superfici in melamina sigillata. Tuttavia, l'umidità può penetrare all'interno se conservata ancora umida.

È normale che polvere e particelle si accumulino sullo specchio primario nel tempo. Ciò non ha alcun effetto sulle prestazioni ottiche. Tuttavia, se lo specchio primario si sporca eccessivamente occorre pulirlo.

Per pulire lo specchio primario procedere come segue.

1. Rimuovere la cella dello specchio primario dal tubo del telescopio rimuovendo le viti sul tubo che si trovano appena sopra la cella dello specchio (Figura 23). Per fare ciò, utilizzare il cacciavite a croce.

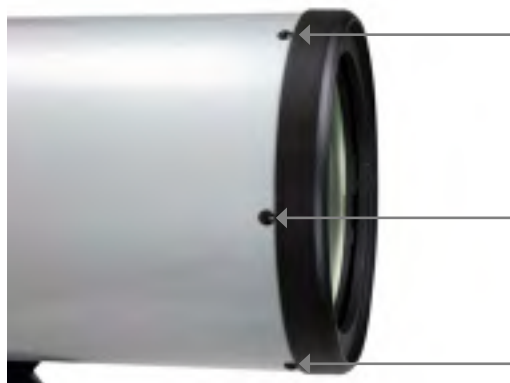


Figura 23: Per rimuovere lo specchio primario dal tubo del telescopio per la pulizia, rimuovere prima le viti che si trovano appena sopra la cella dello specchio.

2. Estrarre con cautela la cella dello specchio dal tubo.
3. La superficie dello specchio è ora esposta per la pulizia. Si consiglia di lasciare lo specchio primario nella cella durante la pulizia.
4. Utilizzare un soffiatore e un pennello per la pulizia delle ottiche per rimuovere particelle di grandi dimensioni e polvere. In alcune circostanze, questo è tutto ciò che occorre per la pulizia.
5. Per rimuovere impronte e macchie oleose, utilizzare un liquido di pulizia per le lenti e un panno apposito per pulire la superficie dello specchio. Applicare il liquido al panno e pulire delicatamente la superficie dello specchio verso il bordo). Utilizzare un panno nuovo per ciascuna nuova zona. Evitare di sfregare: ciò normalmente diffonde la sporcizia anziché rimuoverla.
6. Una volta pulito lo specchio, sistemare nuovamente la cella dello specchio nel tubo del telescopio e le viti.

Lo specchio secondario non si sporca spesso poiché la propria superficie ottica è rivolta verso il basso. Tuttavia, se occorre pulirlo, procedere alla stessa maniera dello specchio primario. Non occorre rimuovere lo specchio secondario dal telescopio per pulirlo. Puntare in orizzontale il telescopio durante la pulizia per evitare che possa cadere qualcosa sullo specchio primario.

È possibile pulire le superfici ottiche esposte degli oculari nella stessa maniera descritta sopra.

SPECIFICHE

StarSense Explorer 8" dobson 22470

Design ottico	Riflettore newtoniano
Apertura	8" (203 mm)
Lunghezza focale	1200 mm
Rapporto focale	F/5.9
Rivestimenti ottici	Rivestimenti riflettenti XLT con protezione superiore in silice e ossido di tantalio per specchio primario e secondario
Materiale specchio	Equivalente Pyrex per specchio primario e secondario
Spessore specchio primario	25 mm (rapporto spessore circa 1:8)
Spessore specchio secondario	8,5 mm
Asse minore dello specchio secondario	47 mm
Materiale tubo	Acciaio
Foceggiatore	Crayford da 2", inclusi prolunga da 2" e adattatore da 2" a 1,25"
Oculare / ingrandimento	Plössl da 25 mm, 48x
Cercatore	Cercatore con mirino StarPointer
Altri accessori	Aggancio StarSense Explorer, griglia per oculari, tappo per collimazione, impugnature di trasporto per OTA e base, manopola di puntamento, coperture antipolvere
Treppiede	Base altazimutale dobsoniana, tensionamento altitudine regolabile
Dimensioni tubo ottico	Diametro 112 x 24 cm (44" x 9,5")
Peso tubo ottico	9,3 kg (20,6 libbre)
Dimensioni base	60,9 x 48 x 48 cm (27" x 19" x 19")
Peso base	10,3 kg (22,8 libbre)
Peso totale del kit telescopio	19,7 kg (43,4 libbre)

SPECIFICHE

StarSense Explorer 10" dobson 22471

Design ottico	Riflettore newtoniano
Apertura	10" (254 mm)
Lunghezza focale	1200 mm
Rapporto focale	F/4.7
Rivestimenti ottici	Rivestimenti riflettenti XLT con protezione superiore in silice e ossido di tantalio per specchio primario e secondario
Materiale specchio	Equivalente Pyrex per specchio primario e secondario
Spessore specchio primario	30mm (rapporto spessore circa 1:8,5)
Spessore specchio secondario	11,5 mm
Asse minore dello specchio secondario	64 mm
Materiale tubo	Acciaio
Dispositivo di messa a fuoco	Crayford da 2", inclusi prolunga da 2" e adattatore da 2" a 1,25"
Oculare / ingrandimento	Plössl da 25 mm, 48x
Cercatore	Cercatore con mirino StarPointer
Altri accessori	Aggancio StarSense Explorer, griglia per oculari, tappo per collimazione, impugnature di trasporto per OTA e base, manopola di puntamento, coperture antipolvere
Treppiede	Base altazimutale dobsoniana, tensionamento altitudine regolabile
Dimensioni tubo ottico	Diametro 112 x 29 cm (44" x 11,5")
Peso tubo ottico	13,2 kg (29,2 libbre)
Dimensioni base	67 x 53 x 53 cm (26,5" x 21" x 21")
Peso base	11,6 kg (25,6 libbre)
Peso totale del kit telescopio	24,9 kg (54,8 libbre)

⚠️ AVVERTENZA SOLARE



- Mai guardare direttamente il Sole a occhio nudo o con un telescopio (a meno che non si disponga di un filtro solare adeguato). Ciò potrebbe causare danni permanenti e irreversibili agli occhi.
- Mai utilizzare il telescopio per proiettare un'immagine del Sole su una qualsiasi superficie. L'accumulo di calore interno può danneggiare il telescopio e qualsiasi accessorio ad esso collegato.
- Non utilizzare mai un filtro solare per oculare o un prisma di Herschel. L'accumulo di calore all'interno del telescopio può causare l'incrinatura o la rottura di tali dispositivi, lasciando che la luce solare non filtrata passi attraverso l'occhio.
- Mai lasciare il telescopio incustodito. Assicurarsi che un adulto che abbia familiarità con le procedure di funzionamento corrette sia sempre presente con il telescopio, specialmente in presenza di bambini.

ATTENZIONE: TENERE LE BATTERIE FUORI DALLA PORTATA DEI BAMBINI.

- Esaminare i dispositivi e assicurarsi che il vano batteria sia fissato correttamente, ad es. che la vite o altro dispositivo di fissaggio meccanico sia serrato.
- Non utilizzare se lo scomparto non è sicuro.
- Smaltire le batterie a bottone usate immediatamente e in modo sicuro. Le batterie scariche possono ancora essere pericolose.
- Spiega agli altri i rischi associati alle batterie a bottone e come proteggere i propri figli.



celestron.com/pages/warranty

NOTA FCC: La presente apparecchiatura è stata testata ed è risultata conforme ai limiti imposti per i dispositivi digitali di Classe B, ai sensi della Parte 15 delle Normative FCC. Tali limiti sono stati ideati per fornire un'adeguata protezione nei confronti di interferenze dannose in installazioni residenziali. La presente apparecchiatura genera, utilizza e può irradiare energia in radio frequenza e, se non installata e utilizzata conformemente alle istruzioni, può causare interferenze dannose alle radiocomunicazioni. Tuttavia, non esiste alcuna garanzia che l'interferenza non si verifichi in una particolare installazione. Nel caso in cui la presente apparecchiatura causi interferenze dannose alla ricezione radio o televisiva, il che potrebbe essere determinato dall'accensione e dallo spegnimento dell'apparecchiatura, l'utente è incoraggiato a tentare di correggere l'interferenza mediante una o più delle misure seguenti:

- Riorientare o riposizionare l'antenna di ricezione.
- Aumentare la distanza tra l'apparecchiatura e il ricevitore.
- Collegare l'apparecchiatura a una presa su un circuito diverso da quello a cui è collegato il ricevitore.
- Consultare il rivenditore o un tecnico specializzato per ricevere assistenza.

Il presente dispositivo è conforme alla Parte 15 delle Norme FCC. L'utilizzo è soggetto alle seguenti due condizioni: (1) Il presente dispositivo non deve causare interferenze dannose, e (2) il presente dispositivo deve accettare qualsiasi interferenza ricevuta, comprese interferenze che potrebbero causare un funzionamento indesiderato.

Notare che cambi o modifiche non approvati espressamente dall'ente responsabile della conformità possono annullare l'autorità dell'utente a mettere in funzione l'apparecchiatura.

Il design del prodotto e le specifiche sono soggetti a modifiche senza previa notifica. Questo prodotto è progettato per essere utilizzato da persone di età pari o superiore ai 14 anni.

Bisogno di aiuto?

Contattare il supporto tecnico Celestron visitando celestron.com/pages/technical-support

celestron.com

© 2022 Celestron ▪ Tutti i diritti riservati ▪ celestron.com
2835 Columbia Street ▪ Torrance, CA 90503 Stati Uniti



StarSense Explorer™ DOB



MANUAL DE INSTRUCCIONES

#22470 STARSENSE EXPLORER 8" DOBSONIANO

#22471 STARSENSE EXPLORER 10" DOBSONIANO

INTRODUCCIÓN

Felicidades por su adquisición del telescopio StarSense Explorer Dobsoniano (SSE Dob). ¡Su SSE Dob combina grandes ópticas con el emocionante conector y app StarSense Explorer para hacer que localizar y observar todo tipo de objetos astronómicos sea divertido y sencillo! Podrá localizar objetos del espacio profundo tenues - galaxias, nebulosas, cúmulos estelares y más - y ponerlos en el campo de visión del ocular en segundos. El gran espejo primario recoge gran cantidad de luz, permitiéndole ver detalles en objetos que no había visto nunca antes.

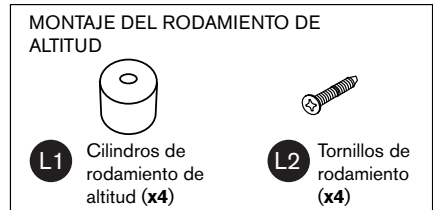
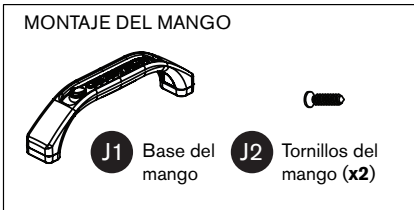
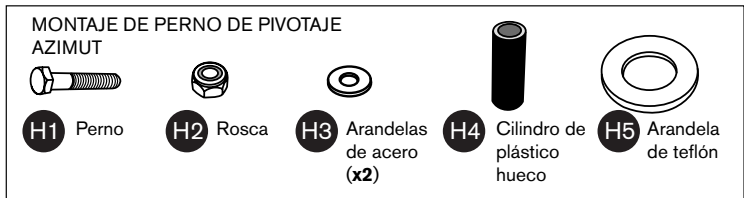
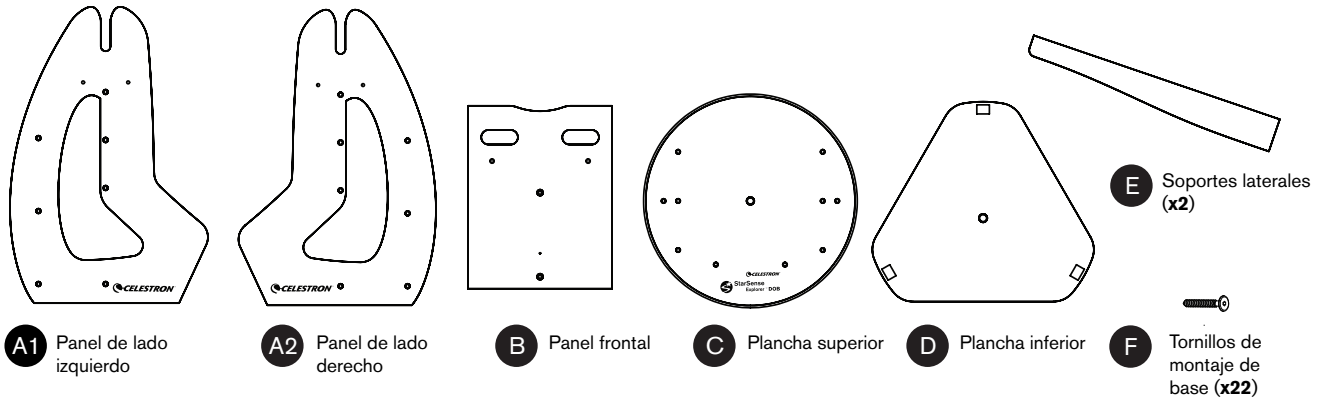
Antes de sacar su StarSense Explorer Dob al exterior para su primera noche de observación, recomendamos leer todo este manual. Le ayudará a comprender mejor las funciones de su telescopio y saber lo que esperar.

ÍNDICE

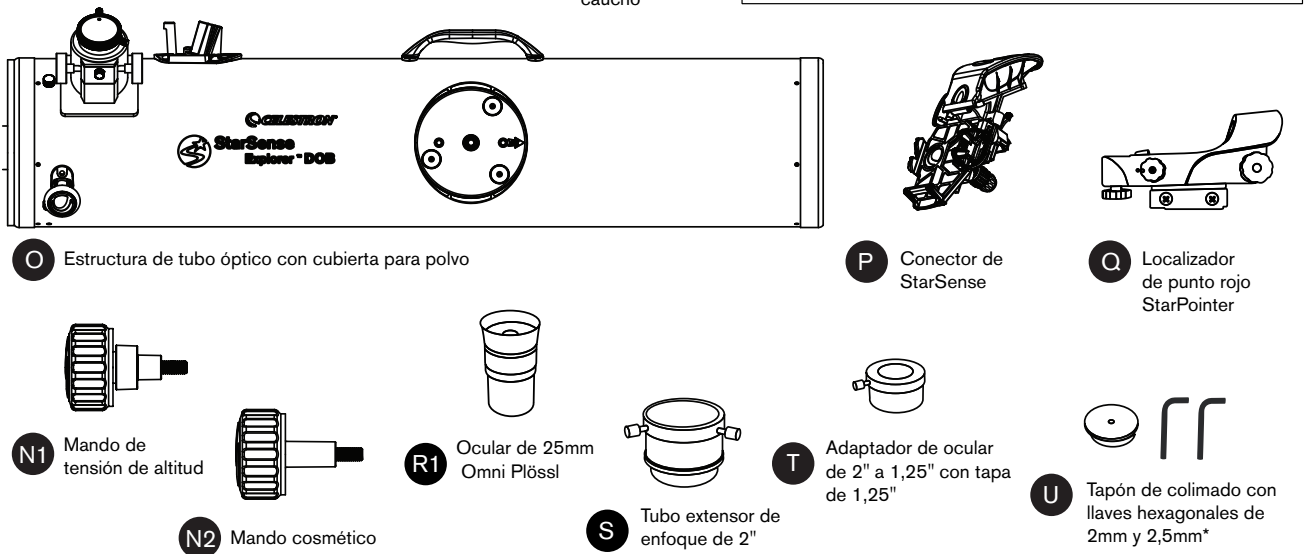
Contenido de la caja	84
Montaje - Estructura del soporte	85
Montaje - Estructura del telescopio	86
Apuntar el telescopio	87
Enfoque	88
Usar StarPointer.	89
Conector StarSense Explorer y App	90
Determinar el aumento y seleccionar oculares	91
Refrigerar la óptica de su telescopio	91
Su primera noche en el exterior - Qué esperar.	92
Adaptación a la oscuridad y contaminación nocturna	93
Uso de filtros.	93
Colimado de óptica	94
Transporte	96
Cuidados y mantenimiento	97
Especificaciones de Starsense Explorer 8" Dobsoniano	98
Especificaciones de Starsense Explorer 10" Dobsoniano	99
Aviso solar	100

CONTENIDO DE LA CAJA

Caja 1 - Base dobsoniana



Caja 2 - Estructura del tubo óptico



*Llave hexagonal de 2,5mm incluida solamente con Dob de 8"

NOTA: Para el colimado de la óptica de su telescopio (p94)

MONTAJE - ESTRUCTURA DEL SOPORTE

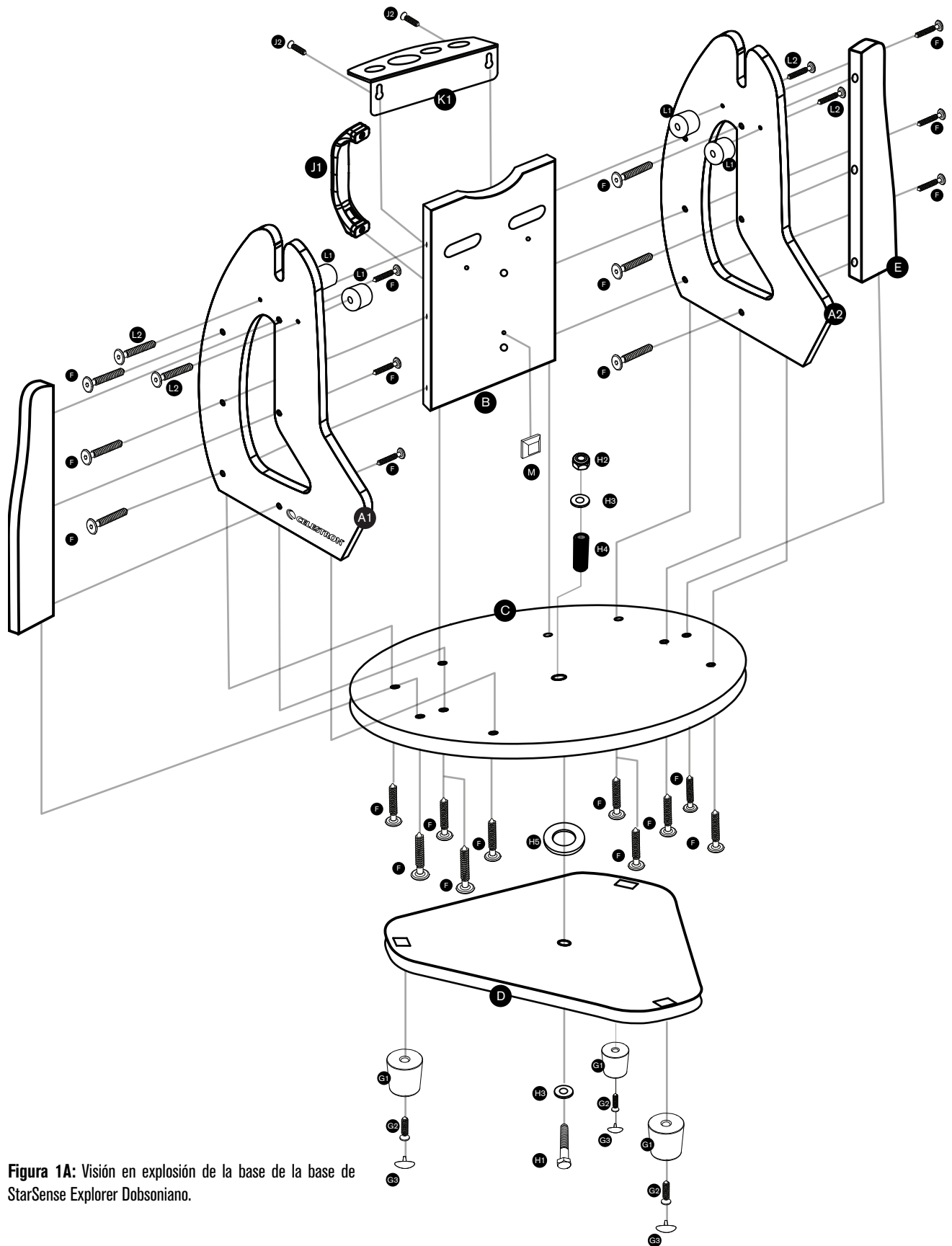


Figura 1A: Visión en explosión de la base de la base de StarSense Explorer Dobsoniano.

MONTAJE - ESTRUCTURA DEL TELESCOPIO

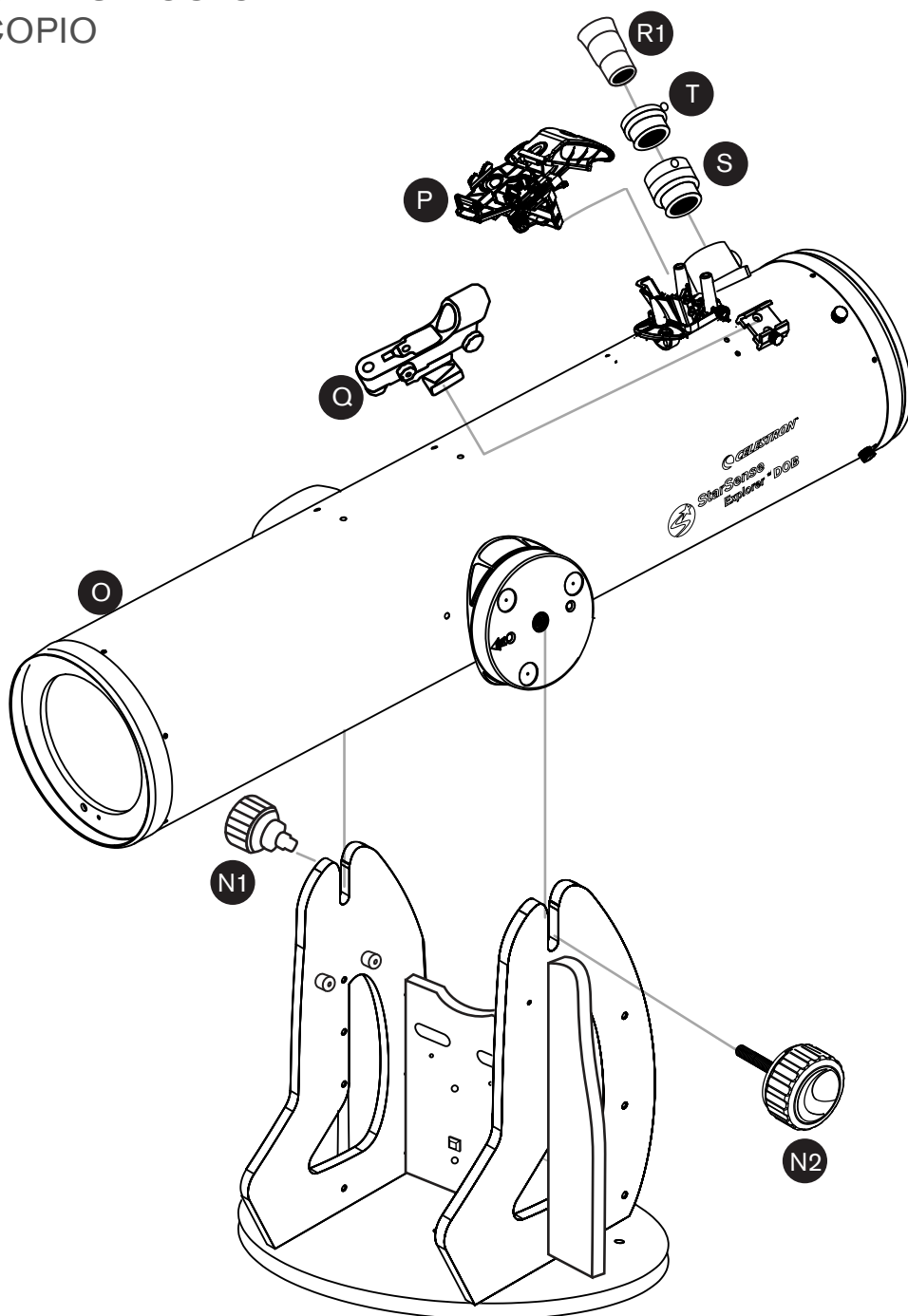


Figura 1B: Visión en explosión de la estructura del tubo óptico de StarSense Explorer Dobsoniano.

Consulte la Figura 1 para ver cómo encajan las piezas del SSE Dob.

Para una lista completa de piezas e instrucciones de montaje, consulte la Guía Rápida de Instalación incluida en la caja, o en la página de producto de SSE Dob en www.celestron.com

APUNTAR EL TELESCOPIO

Las bases dobsonianas son soportes altazimut. Esto implica que el telescopio se mueve en dos direcciones: arriba y abajo (es decir, altitud), y de izquierda a derecha (es decir, azimut) (Figura 2).



Figura 2: Los StarSense Explorer Dobsonianos tienen dos ejes de movimiento: altitud (arriba y abajo) y azimut (izquierda a derecha).

Es fácil apuntar su Dob a un objeto. Solo tiene que mover el tubo del telescopio arriba y abajo y de izquierda a derecha hasta que el objeto esté apuntado al objeto deseado y el objeto aparezca en el ocular del telescopio. El mando de desplazamiento de la parte anterior del tubo del telescopio ofrece una ubicación práctica para agarrar el tubo para apuntar (Figura 3).



Figura 3: El mando de desplazamiento ofrece un lugar excelente para que sus dedos se agarren al apuntar el telescopio.

Usar este mando también evita que el calor de su mano entre en la ruta óptica, lo que podría distorsionar temporalmente la vista.

Puede ajustar la tensión en el eje de altitud girando el mando situado en el mismo lado que el enfoque del telescopio - el mando de tensión de altitud (Figura 4).



Figura 4: La tensión del movimiento de altitud puede ajustarse con el mando de tensión de altitud. (NOTA: el otro mando en el lado opuesto no funciona para ajustar la tensión de altitud).

Gire el mando para añadir la tensión suficiente para producir un movimiento de ascenso y descenso suave. En la mayoría de circunstancias no necesitará añadir mucha tensión. El telescopio está equilibrado para uso normal. Sin embargo, si usa un ocular pesado o un teléfono grande, puede tener que añadir más tensión de forma que el telescopio quede quieto cuando no se toque.

ENFOQUE

Los SSE Dob incluyen un enfoque de 2" Crayford, un tubo extensor de 2", y un adaptador de ocular de 2" a 1,25". Con estos tres elementos puede usar virtualmente cualquier ocular de telescopio con el SSE Dob.

Con la mayoría de oculares, asegúrese de que el tubo extensor de 2" esté en posición en el enfoque. Si no, el telescopio no llegará a enfocar. Si usa un ocular que precise de mucho recorrido de enfoque hacia dentro, retire el tubo extensor de 2". Puede tener que retirar el tubo si usa su Dob con una cámara de astrofotografía.

Si desea usar un ocular de formato 1,25", deberá usar el adaptador de ocular de 2" a 1,25". Colóquelo en el enfoque (con el tubo extensor de 2" instalado) y a continuación coloque el ocular de 1,25" en el adaptador. Apriete el tornillo manual del adaptador para fijar el ocular en posición. El adaptador usa una arandela de latón compresora interna de forma que el cañón de su ocular no se raye ni dañe.

Para enfocar, gire los mandos de enfoque en sentido horario o antihorario hasta que el objeto en el ocular del telescopio esté enfocado con definición. Para bloquear la posición del enfoque cuando haya conseguido un enfoque definido, apriete el tornillo manual de bloqueo del enfoque (Figura 5). Si necesita ajustar la tensión del mando de enfoque, puede apretar o soltar el tornillo de tensión del enfoque usando la llave hexagonal incluida.

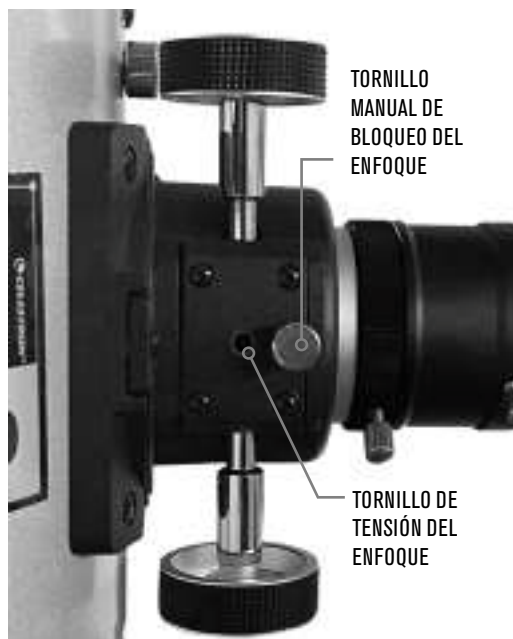


Figura 5: El tornillo de bloqueo del enfoque bloquea en posición el enfoque cuando se haya conseguido enfocar. El tornillo de tensión de enfoque

ajusta la tensión de los mandos de enfoque.

Como el SSE Dob es un reflector newtoniano, las imágenes que verá aparecerán en espejo e invertidas comparadas con la vista desnuda (Figura 6).

Aunque esto tiene poco impacto en la observación astronómica, puede ser un poco confuso cuando esté observando objetos terrestres.



VISTA DESNUDA



VISTA POR TELESCOPIO REFLECTOR NEWTONIANO

Figura 6: Como todos los reflectores newtonianos, los SSE Dob producen imágenes que aparecen en espejo e invertidas, comparadas con el ojo desnudo.

USAR STARPOINTER

Aunque no necesitará depender del localizador de punto rojo StarPointer cuando use la app StarSense Explorer, puede ayudarle a alinear la app con el telescopio. StarPointer también resulta práctico cuando esté localizando objetos de día, dado que la app solamente funciona de noche, bajo las estrellas.

Para alinear el StarPointer, apunte primero el telescopio a un objeto que esté como mínimo a 1/4 de milla (400 m). Recomendamos alinear durante el día. Elija un árbol, señal, edificio u otra característica del paisaje lejana. Si está alineando de noche, puede usar una farola, la Luna, o una estrella o planeta brillante.

Cuando haya apuntado el telescopio al objeto, asegúrese de que aparezca en el ocular. A continuación, encienda el StarPointer usando el dial LED (Figura 7).



Figura 7: Localizador de punto rojo StarPointer.

Aumente el nivel de brillo hasta que pueda ver con facilidad el punto rojo. Ahora, sin mover el telescopio, use los mandos de ajuste de altitud y azimut del StarPointer para centrar el punto rojo en el mismo objeto que ha centrado en el ocular del telescopio. Cuando haya terminado, asegúrese de que el objeto siga centrado en el ocular del telescopio. Si lo está, ha terminado de alinear el StarPointer. Si no, mueva el telescopio de forma que el objeto en el ocular del telescopio vuelva a estar centrado. Siga usando los mandos de ajuste de altitud y azimut de StarPointer para centrar otra vez el punto rojo en el objeto.

Apague el StarPointer cuando no lo use para conservar su batería. Aunque la batería del StarPointer debería durar mucho tiempo, eventualmente deberá sustituirse por una batería de botón de litio CR2032 de 3V. Son muy comunes y están disponibles en diversos comercios.

Para sustituir la batería:

1. Use un destornillador de cabezal Phillips para sacar el tornillo de fijación de la cubierta de la batería (Figura 8).



Figura 8: Para abrir la cubierta de la batería del StarPointer, retire primero el tornillo de fijación.

2. Retire la batería gastada del compartimiento de batería. Puede tener que usar una cuchilla o destornillador para sacar la batería de su soporte.
3. Introduzca la nueva batería de forma que el lado positivo quede visible. Asegúrese de que la batería esté correctamente asentada en el compartimiento de batería (Figura 9).



Figura 9: Cuando la batería esté correctamente colocada en el compartimiento como se indica, la cubierta de la batería debería ser fácil de volver a colocar.

4. Cierre el compartimiento de batería y vuelva a instalar el tornillo de fijación.

CONECTOR STARSENSE EXPLORER Y APP

Posiblemente, la característica más interesante del StarSense Explorer Dobsonian sea el conector StarSense Explorer y la app para teléfonos StarSense Explorer. ¡Con la app para guiarle, pasará más tiempo observando objetos, en lugar de esforzarse en encontrarlos entre la miríada de estrellas del firmamento! StarSense Explorer de Celestron es el único dobsonian que incluye esta increíble función.

Para comenzar, descargue e instale la app de Apple App Store (iOS) o Google Play (Android). También encontrará allí los requisitos mínimos de sistema. Si tiene dudas sobre su teléfono es compatible con la app, visite celestron.com/SSE

Cuando haya descargado la app, use el código de desbloqueo de app que encontrará en la tarjeta impresa incluida con su telescopio (Figura 10).

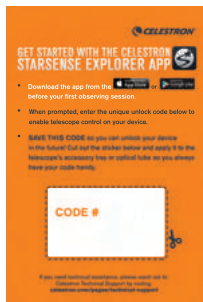


Figura 10: El código de desbloqueo de la app StarSense Explorer está impreso en la tarjeta incluida con su telescopio.

Cada código puede habilitar hasta cinco dispositivos para usar la funcionalidad StarSense Explorer. Si usa el código las cinco veces y necesita desbloquear la app en más dispositivos, contacte con el Soporte Técnico de Celestron en celestron.com/pages/technical-support para conocer las opciones.

Con la app desbloqueada, está preparado para comenzar. Ponga el teléfono en el conector StarSense Explorer y pulse el icono StarSense en la parte inferior de la pantalla del planetario (Figura 11).

Seleccione la opción "NECESITA ALINEACIÓN" y siga las indicaciones en pantalla para alinear la cámara del teléfono con el telescopio. Cuando termine este procedimiento, puede usar la app para localizar objetos.

Seleccione un objeto para verlo desde el planetario o la lista "Lo mejor de esta noche". Aparecerán flechas en pantalla, guiándole al objeto. Siga las flechas hasta que el punto de mira se ponga verde y el objeto estará en el campo visual de su telescopio. ¡Así de fácil!

Mientras observa, puede leer información detallada sobre el objeto. Cientos de los objetos más populares también ofrecen una presentación audio. Para escucharla, pulse la barra en la parte inferior de la pantalla, que contiene el nombre del objeto (Figura 12).



Figura 11: Cuando haya desbloqueado la app StarSense Explorer, pulse el icono StarSense para comenzar a localizar objetos.



Figura 12: Pulse la barra Información de objeto para recibir información adicional sobre el objeto seleccionado, incluyendo imágenes y presentaciones audio de muchos objetos.

DETERMINAR EL AUMENTO Y SELECCIONAR OCULARES

Para cambiar el aumento del telescopio, deberá cambiar el ocular del enfoque del telescopio. Para calcular el aumento que puede lograr con un ocular concreto, use esta fórmula:

$$\frac{\text{Longitud focal del telescopio} \div}{\text{Longitud focal del ocular}} = \text{Aumento}$$

Los SSE Dob tienen una longitud focal de 1200mm. Incluyen un ocular Omni Plössl de 25mm. Usando la fórmula, podemos calcular que esta combinación ofrece un aumento de 48x ($1200\text{mm} \div 25\text{mm} = 48\text{x}$). Es un aumento excelente para localizar y observar objetos del espacio profundo con campo amplio. Puede querer adquirir un ocular con mayor aumento, como un Omni Plössl de 10mm, para observaciones con más potencia de la Luna y los planetas. Sin embargo, no use demasiado aumento, o podría degradar la vista debido a las condiciones de observación atmosféricas (como las turbulencias del aire).

El aumento máximo de cualquier telescopio es normalmente de 60 veces por pulgada, lo que equivale a 480x para el SSE Dob de 8", y 600x para el SSE Dob de 10". Sin embargo, en muchos lugares será difícil lograr imágenes definidas con más de 100x de aumento, debido a las turbulencias del aire. Si observa que las estrellas del firmamento parpadean mucho, las condiciones de observación son malas. Debería limitarse a un aumento menor. Si las estrellas parecen brillar de forma estable, las condiciones de observación son buenas. Puede probar con oculares de mayor aumento.

Los SSE Dob pueden aceptar oculares en formato de 1,25" y 2". Los oculares de 2" ofrecen normalmente un campo visual más amplio, pero tienen un coste notablemente mayor. Para usar un ocular de 2", retire el adaptador de 2" a 1,25" del enfoque e introduzca directamente el ocular en el tubo extensor de 2". Asegure el ocular con los tornillos manuales en el tubo extensor de 2".

El soporte de oculares situado en la parte anterior de la base ofrece una ubicación práctica para colocar oculares cuando no se usen. Puede aceptar tres oculares de 1,25" y un ocular de 2" (Figura 13).



Figura 13: El soporte de oculares es un lugar práctico para guardar oculares adicionales durante su sesión.

REFRIGERAR LA ÓPTICA DE SU TELESCOPIO

Obtendrá las mejores vistas con su telescopio cuando llegue a un equilibrio térmico con el aire ambiente. Si el telescopio está más caliente que el aire del exterior, el espejo se aclimatará a la temperatura y su forma cambiará. Las imágenes que vea por un telescopio que no se haya enfriado no serán tan definidas como deberían. Si está llevando su telescopio de una casa con calefacción al exterior, deje aproximadamente una hora antes de esperar que produzca imágenes definidas. Por ello, recomendamos que guarde su telescopio en un lugar seco pero sin calefacción, como el garaje o un cobertizo.

Para el SSE Dob de 10" está disponible un ventilador de refrigeración USB para dobsonianos. Se monta en la parte posterior de la célula del espejo y proyecta aire sobre el espejo para acelerar su enfriamiento (Figura 14).

El ventilador ayudará a que la óptica logre un equilibrio térmico con mayor rapidez. (El SSE Dob de 8" no tiene un soporte de ventilador, por lo que no es compatible con el ventilador de refrigeración).



Figura 14: El ventilador de refrigeración USB opcional para dobsonianos es compatible con el SSE Dob de 10".

SU PRIMERA NOCHE EN EL EXTERIOR - QUÉ ESPERAR

Puede observar miles de objetos con la mayor apertura de los SSE Dob:

La Luna

Observar la superficie lunar es un excelente comienzo. Verá con facilidad cráteres, mares, lagos, valles, montañas y otras características. La Luna es tan brillante que puede querer usar un filtro lunar opcional. Se enrosca en la parte inferior del ocular para atenuar la vista. También recomendamos un ocular de mayor potencia para ayudarlo a explorar la Luna de cerca.

Planetas

Los mejores planetas para observar son Júpiter, Saturno, Marte y Venus. Un ocular de mayor potencia ayudará a observar detalles. Podrá ver los anillos de Saturno, detalles de la superficie de Júpiter con sus lunas, las fases de Venus, y quizá algo de detalle de la superficie de Marte si está cerca de su oposición (es decir, más cercano a la Tierra).

Estrellas y Estrellas Dobles

Las estrellas aparecerán como puntos de luz sin importar el aumento usado. Sin embargo, un telescopio puede revelar el color de una estrella y también "separar" estrellas dobles usando aumentos superiores. Para las estrellas variables, pruebe a detectar el cambio de brillo de una estrella en un periodo de días o semanas.

Cúmulos Estelares Abiertos

Son grupos estelares que se formaron conjuntamente en nuestra Vía Láctea. Pueden aparecer espectaculares en el ocular del telescopio, incluso en firmamentos con cierta contaminación lumínica. Los astrónomos describen a menudo los cúmulos estelares como parecidos a "polvo de diamante sobre terciopelo negro" en el ocular del telescopio. Los cúmulos se observan mejor normalmente con oculares de baja potencia, dado que normalmente precisan de un campo visual amplio para ver todo el cúmulo.

Cúmulos Estelares Globulares

Son cúmulos prietos de cientos de miles de estrellas, que se unieron en los primeros tiempos de la formación de nuestra galaxia. Estos cúmulos aparecen como globos de luz. Los más brillantes pueden resolverse en estrellas individuales en buenas condiciones. La mayoría de cúmulos globulares se ven mejor con un ocular de potencia media, dado que no son en absoluto tan amplios como los cúmulos abiertos, y a la vez no son lo suficientemente brillantes para una potencia elevada.

Nebulosas

Normalmente necesitará estar bajo un firmamento oscuro para ver nebulosas gaseosas, que aparecen como un tenue resplandor alrededor de las estrellas. No espere ver ninguna nebulosidad desde firmamentos urbanos, excepto quizá las más brillantes, como la Nebulosa de Orión y la Nebulosa de la Laguna.

Galaxias

Quizá los objetos más fascinantes para ser observados, las galaxias son como "universos en islas" en sí mismas. Aunque puede detectar las galaxias más brillantes, como la Galaxia de Andrómeda, desde firmamentos con cierta contaminación lumínica, se observan mejor con firmamentos oscuros. Literalmente, cientos de galaxias están dentro del alcance de observación de los SSE Dob. Las mejores muestran detalles, como tenues brazos en espiral y vías de polvo. Muchas, sin embargo, solamente aparecerán como "manchas" o "borrones" no estelares. Incluso en este caso, poder detectar la luz de una galaxia fuera de la nuestra es gratificante en sí mismo.

Un aspecto que debe tener en cuenta es que los SSE Dob no están motorizados. Esto implica que no seguirán automáticamente objetos celestes a medida que gire la Tierra. Como resultado, notará que los objetos se mueven ligeramente a medida que los observa, y saldrán del campo visual del ocular en uno o dos minutos, según el aumento que use. Los objetos saldrán más rápido del campo de oculares de alta potencia, dado que su campo visual es más estrecho. Deberá mover manualmente el Dob para mantener centrados los objetos con el tiempo. Es fácil. Agarre el mando de desplazamiento del telescopio y muévelo ligeramente arriba y abajo y de izquierda a derecha según sea necesario.

ADAPTACIÓN A LA OSCURIDAD Y CONTAMINACIÓN NOCTURNA

El ojo humano tarda como mínimo media hora en adaptarse a la oscuridad, por lo que no espere ver inmediatamente detalles sutiles en objetos del espacio profundo tenues en cuanto salga al exterior. Mientras observe, evite cualquier luz potente (como entrar del exterior a una casa con luz) o su adaptación a la oscuridad precisará de tiempo para restablecerse. Use linternas rojas, diseñadas para uso astronómico, dado que la luz roja no afectará mucho a su visión nocturna. La Luna también afectará a su adaptación a la oscuridad, por lo que si observa directamente la Luna, espere a que tarde en recuperar su visión nocturna.

La contaminación lumínica local reducirá en gran medida la apariencia y el contraste de objetos del espacio profundo más tenues en el telescopio. No espere ver mucho detalle con firmamentos urbanos. Obtendrá las mejores vistas en ubicaciones con firmamentos oscuros, lejos de la iluminación de la ciudad o los suburbios. Los objetos brillantes como la Luna, los planetas y los cúmulos estelares abiertos brillantes no se ven tan afectados por la contaminación lumínica, por lo que son buenos objetos para la observación de patio, sin importar donde esté. Tenga también en cuenta que la misma Luna puede iluminar gran parte del firmamento nocturno, evitando la observación de objetos tenues incluso en lugares oscuros. Por ello, programe la observación del espacio profundo cuando la Luna no vaya a ser visible.

USO DE FILTROS

Experimente añadiendo filtros opcionales en su instalación para ayudarle a mejorar la vista. Los filtros astronómicos se enroscan en la parte inferior de su ocular, y normalmente están en formatos de 1,25" y 2". Retire el ocular del enfoque, enrosque el filtro en la parte inferior del cañón del ocular, y vuelva a introducirlo en el enfoque.

Puede elegir entre muchos filtros útiles:

Filtro lunar – Esencial para ver detalles lunares, este filtro reduce el resplandor y atenúa los objetos brillantes.

Polarizador variable – Como un filtro lunar, un polarizador atenúa su observación. La principal diferencia es que puede personalizar el grado de atenuación girando el polarizador.

Filtros de color – Disponibles en diversos colores, pueden mejorar el contraste cuando observe detalles planetarios.

Filtros de contaminación lumínica – Si está observando objetos del espacio profundo en firmamentos urbanos o suburbanos, mejoran el contraste bloqueando la luz "mala" de la contaminación lumínica y transmitiendo la "luz buena" de los objetos del espacio profundo. Observará una mejora superior en contraste cuando observe nebulosas.

COLIMADO DE LA ÓPTICA

El colimado es el proceso de alineación de la óptica del telescopio. Los dobsonianos usan diseño óptico de reflector newtoniano, que consiste en un espejo primario parabólico y un espejo secundario plano. Para garantizar su mejor rendimiento, debería comprobar periódicamente la alineación de la óptica. Para ayudarle, hemos incluido un "tapón de colimado" especial que puede usar. Además, el espejo primario tiene el centro marcado con una etiqueta circular adhesiva para ayudar en el colimado.

Para comprobar la alineación de los espejos, retire primero el ocular. Asegúrese de que el adaptador de 2" a 1,25" esté instalado en el enfoque. A continuación, ponga el tapón de colimado en el enfoque (Figura 15).



Figura 15: Para comprobar la alineación de los espejos, use el tapón de colimado incluido en el enfoque.

Mire por el pequeño agujero del centro del tapón de colimado. La vista debería ser como en la Figura 16. Si no, deberá realizar algunos ajustes a la alineación de los espejos.

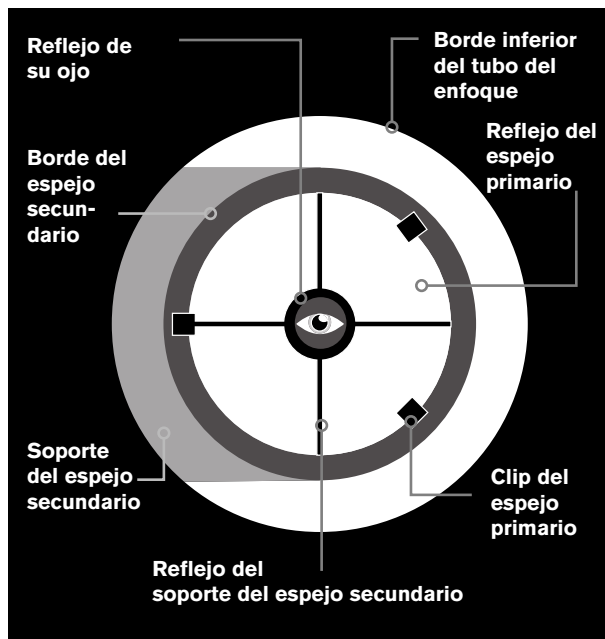


Figura 16: Si su telescopio está correctamente alineado, la vista por el tapón de colimado debe ser como en la imagen anterior.⁴

Es más fácil colimar un telescopio de día con el telescopio apuntando a una pared vacía. De este modo conseguirá una vista de alto contraste, facilitando determinar los ajustes que deben realizarse. Use la(s) llave(s) hexagonal(es) incluida(s) para realizar los ajustes. El SSE Dob de 8" incluye llaves hexagonales de 2mm y 2,5mm. El SSE Dob de 10" incluye una única llave hexagonal de 2mm. Para el SSE Dob de 8" también necesitará usar el destornillador de cabezal Phillips incluido.

Ajuste primero el espejo secundario de la parte anterior del telescopio con la llave de 2mm.

1. Debería poder ver el reflejo de todo el espejo primario centrado en el espejo secundario, como se muestra en la Figura 16.

Si no puede (por ejemplo, como en la Figura 17), use los tres tornillos de cabezal hexagonal en el soporte del espejo secundario para ajustar la inclinación del espejo secundario (Figura 18).

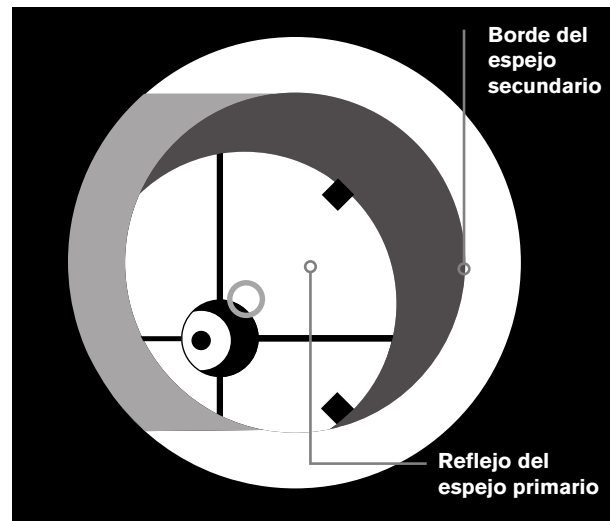


Figura 17: Si el reflejo del espejo primario no está centrado en el espejo secundario como se indica anteriormente, deberá ajustar la inclinación del espejo secundario.



Figura 18: Los tres tornillos de cabezal hexagonal del soporte del espejo secundario ajustan la inclinación del espejo secundario.

- a. Ajuste un tornillo cada vez. Realice solamente ajustes pequeños.
 - b. Si un tornillo se aprieta o suelta demasiado, ajuste los otros tornillos para compensar.
2. Siga ajustando los tornillos hasta que el espejo primario aparezca centrado con el espejo secundario (Figura 19). Cuando haya terminado, asegúrese de que los tres tornillos estén ajustados.

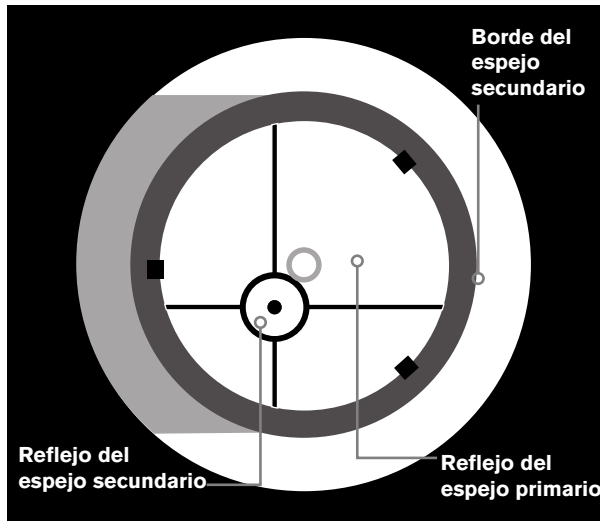


Figura 19: Siga realizando ajustes de inclinación del espejo secundario hasta que el reflejo del espejo primario esté centrado como se indica en la imagen anterior.

3. A continuación, ajuste la inclinación del espejo primario hasta que el reflejo del espejo secundario esté centrado en el reflejo del espejo primario.

Para el dobsoniano de 8", use la llave hexagonal de 2,5mm y un destornillador de cabezal Phillips para inclinar el espejo primario. Tiene tres pares de tornillos de colimado. Cada par funciona conjuntamente para ajustar la inclinación.

- a. Ajuste un par de tornillos cada vez. Comience aflojando uno de los tornillos del par y apretando el otro (Figura 20).



Figura 20: Para el Dob de 8", dispone de tres grupos de tornillos de empuje-tiro en la célula del espejo que ajustan la inclinación del espejo primario. Afloje un tornillo del par y apriete el otro para ajustar la inclinación.

- b. Si el espejo se inclina en dirección opuesta a la deseada, afloje el tornillo que haya apretado previamente y apriete el otro tornillo del par.
- c. Cuando haya ajustado un par de tornillos tanto como pueda, pase a otro par de tornillos.
- d. Siga ajustando hasta que el reflejo del espejo secundario esté centrado en el reflejo del espejo primario. Cuando haya terminado, la vista por el tapón de colimado debería ser como en la Figura 16.

Para el dobsoniano de 10", no necesitará herramientas para inclinar el espejo primario. En su lugar, ajuste los tornillos manuales. Tres de los tornillos manuales son tornillos de bloqueo, mientras que los otros tres ajustan la inclinación.

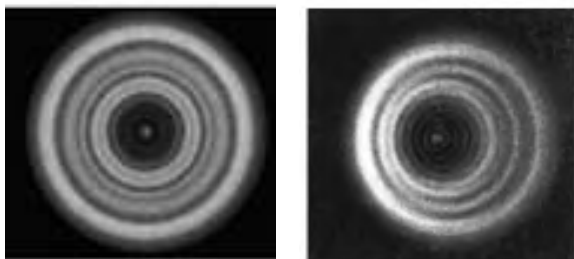
- a. Comience aflojando los tres tornillos manuales de bloqueo (Figura 21).



Figura 21: Para el Dob de 10", dispone de tres tornillos manuales con muelle de colimado que ajustan la inclinación del espejo primario. Los otros tres tornillos manuales bloquean en posición el espejo cuando finalicen los ajustes de inclinación.

- b. Ajuste los tornillos manuales de colimado de uno en uno. Cada tornillo manual de colimado tiene un muelle, por lo que puede girarlo en sentido horario o antihorario.
- c. Siga ajustando los tornillos hasta que el reflejo del espejo secundario esté centrado en el reflejo del espejo primario.
- d. Vuelva a apretar los tres tornillos manuales de bloqueo hasta que queden ajustados.
- e. Cuando haya terminado, la vista por el tapón de colimado debería ser como en la Figura 16.

La óptica de su telescopio estará alineada y lista para el uso. También puede confirmar la alineación de un telescopio de noche apuntando el telescopio a una estrella brillante con aumento elevado. Centre la estrella en el campo visual y desenfoque ligeramente la estrella - debería aparecer como un círculo con un agujero en el centro. (El "agujero" es la sombra del espejo secundario). Si el agujero no está centrado en el círculo, deberá realizar más ajustes de colimado (Figura 22).



BUEN COLIMADO

NECESITA AJUSTE

Figura 23: Para retirar el espejo primario del tubo del telescopio para limpiarlo, retire primero los tornillos situados sobre la célula del espejo.

TRANSPORTE

Transportar el StarSense Explorer Dobsoniano es fácil, especialmente considerando su tamaño. Primero, retire el tubo del telescopio de la base aflojando el mando de tensión de altitud y levantando el tubo del telescopio. Puede transportar el tubo y la base por separado con sus asas de transporte integrada. Las asas están posicionadas para equilibrar la carga, de forma que no debería resultar incómodo llevar ningún componente.

CUIDADOS Y MANTENIMIENTO

Guarde el telescopio en interiores en un lugar seco. Un garaje es ideal; mantendrá la óptica cerca de la temperatura ambiente exterior, de forma que no tardará tanto en aclimatarse. Ponga la tapa para polvo en la parte anterior del telescopio y la tapa en el enfoque cuando no use el telescopio. En caso contrario, puede acumularse polvo y partículas en la óptica.

Si el telescopio está húmedo por condensación, seque el exterior del tubo del telescopio y la base con una gamuza antes de guardarlo. Aunque una pequeña cantidad de agua en el exterior del tubo y la base no dañarán el telescopio, guardarlo mojado durante mucho tiempo puede causar corrosión o daños por agua. La base de madera tiene superficies de melamina selladas. Sin embargo, puede entrar agua por grietas si se deja guardado mojado.

Es normal que se acumule algo de polvo y partículas en el espejo primario con el tiempo. No afectarán a su rendimiento óptico. Sin embargo, si el espejo primario se ensucia en exceso, debería limpiarlo.

Para limpiar el espejo primario:

1. Retire la célula del espejo primario del tubo del telescopio sacando los tornillos del tubo, encima de la célula del espejo (Figura 23). Necesitará el destornillador de cabezal Phillips para hacerlo.

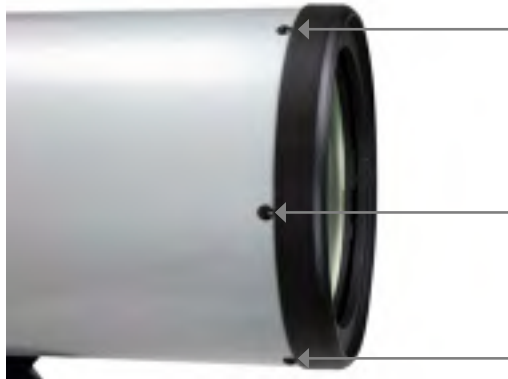


Figura 23: Para quitar el espejo principal del tubo del telescopio para limpiarlo, primero quite los tornillos que se encuentran justo encima de la celda del espejo.

2. Saque cuidadosamente la célula del espejo del tubo.
3. La superficie del espejo estará expuesta para limpiarla. Recomendamos dejar el espejo primario en su célula durante la limpieza.
4. Use una perilla y pincel de limpieza de ópticas para eliminar las partículas y polvo más importantes. En

algunos casos, con esta limpieza será suficiente.

5. Para eliminar marcas y aceites, use líquido limpiador de lentes y tisú para limpiar lentes para limpiar la superficie del espejo. Aplique el líquido en el tisú y limpie con suavidad la superficie del espejo. Use pasadas radiales (es decir, del centro del espejo al borde). Use un nuevo tisú para cada pasada. Evite frotar, normalmente solamente esparcirá los aceites en lugar de eliminarlos.
6. Cuando el espejo esté limpio, vuelva a instalar la célula del espejo en el tubo del telescopio y vuelva a poner los tornillos.

El espejo secundario no se ensuciará a menudo, dado que su superficie óptica está apuntando hacia abajo. Sin embargo, si precisa de limpieza, puede limpiarse igual que el espejo primario. No necesita sacar el espejo secundario del telescopio para limpiarlo. Apunte el telescopio horizontal durante la limpieza para evitar que caiga nada en el espejo primario.

Puede limpiar las superficies ópticas expuestas de sus oculares del modo descrito anteriormente.

ESPECIFICACIONES

#22470 Starsense Explorer 8" Dobsoniano

Diseño óptico	Reflector newtoniano
Apertura	8" (203mm)
Longitud focal	1200mm
Apertura focal	F/5.9
Recubrimiento de ópticas	Recubrimiento reflector XLT con recubrimiento protector de dióxido de silicio y pentóxido de tántalo para los espejos primario y secundario
Material del espejo	Equivalente a pyrex para los espejos primario y secundario
Grosor del espejo primario	25mm (relación de grosor aproximada de 1:8)
Grosor del espejo secundario	8,5mm
Eje menor del espejo secundario	47mm
Material del tubo	Acero
Enfoque	Crayford de 2", incluye tubo extensor de 2" y adaptador de 2" a 1,25"
Ocular / Aumento	Plössl de 25mm, 48x
Localizador	Localizador de punto rojo StarPointer
Otros accesorios	Conector StarSense Explorer, soporte de oculares, tapón de colimado, asas de transporte para ETO y base, mando de apuntado, cubiertas para polvo
Tripode	Base dobsoniana altazimut, tensión de altitud ajustable
Dimensiones del tubo óptico	44" x 9,5" de diámetro
Peso del tubo óptico	20,6 lbs.
Dimensiones de la base	27" x 19" x 19"
Peso de la base	22,8 lbs.
Peso total del telescopio	43,4 lbs.

ESPECIFICACIONES

#22471 Starsense Explorer 10" Dobsoniano

Diseño óptico	Reflector newtoniano
Apertura	10" (254mm)
Longitud focal	1200mm
Apertura focal	F/4.7
Recubrimiento de ópticas	Recubrimiento reflector XLT con recubrimiento protector de dióxido de silicio y pentóxido de tántalo para los espejos primario y secundario
Material del espejo	Equivalente a pyrex para los espejos primario y secundario
Grosor del espejo primario	30mm (relación de grosor aproximada de 1:8,5)
Grosor del espejo secundario	11,5mm
Eje menor del espejo secundario	64mm
Material del tubo	Acero
Enfoque	Crayford de 2", incluye tubo extensor de 2" y adaptador de 2" a 1,25"
Ocular / Aumento	Plössl de 25mm, 48x
Localizador	Localizador de punto rojo StarPointer
Otros accesorios	Conector StarSense Explorer, soporte de oculares, tapón de colimado, asas de transporte para ETO y base, mando de apuntado, cubiertas para polvo
Tripode	Base dobsoniana altazimut, tensión de altitud ajustable
Dimensiones del tubo óptico	44" x 11,5" de diámetro
Peso del tubo óptico	29,2 lbs.
Dimensiones de la base	26,5" x 21" x 21"
Peso de la base	25,6 lbs.
Peso total del telescopio	54,8 lbs.

⚠ AVISO SOLAR



- No mire nunca directamente al Sol con los ojos descubiertos o un telescopio a menos que tenga un filtro solar adecuado. Puede producir daños oculares permanentes e irreversibles.
- No use nunca el telescopio para proyectar una imagen del Sol en ninguna superficie. La acumulación interna de calor puede dañar el telescopio y cualquier accesorio que tenga instalado.
- No use nunca un filtro solar de ocular ni una cuña Herschel. La acumulación interna de calor en el telescopio puede hacer que los dispositivos se agrieten o rompan, permitiendo pasar la luz solar sin filtrar hasta el ojo.
- No deje nunca el telescopio sin supervisión. Asegúrese de que un adulto familiarizado con los procedimientos de uso adecuados esté con el telescopio en todo momento, especialmente en presencia de niños.

ADVERTENCIA: MANTENGA LAS PILAS FUERA DEL ALCANCE DE LOS NIÑOS.

- Examine los dispositivos y asegúrese de que el compartimiento de la batería esté correctamente asegurado, p. que el tornillo u otro sujetador mecánico esté apretado.
- No lo use si el compartimiento no es seguro.
- Deseche las pilas de botón usadas de forma inmediata y segura. Las baterías descargadas aún pueden ser peligrosas.
- Dígalas a otros sobre el riesgo asociado con las pilas de botón y cómo mantener seguros a sus hijos.



celestron.com/pages/warranty

NOTA FCC: Este equipo ha sido probado y cumple con los límites de un dispositivo digital de Clase B, según el apartado 15 de las normas FCC. Estos límites están diseñados para proporcionar una protección razonable contra interferencias dañinas en una instalación doméstica. Este equipo genera, usa e irradia energía de radiofrecuencia y, si no se instala y utiliza de acuerdo con las instrucciones, puede provocar interferencias dañinas en comunicaciones por radio. Sin embargo, no existe ninguna garantía de que no se produzcan interferencias en una instalación concreta. Si este equipo causa interferencias dañinas en la recepción de radio o televisión, lo que puede determinarse apagando y encendiendo el equipo, se recomienda al usuario intentar corregir las interferencias con una o varias de las medidas siguientes:

- Reorientar o recolocar la antena receptora.
- Aumentar la separación entre el equipo y el receptor.
- Conectar el equipo a una toma de un circuito distinto al que esté conectado el receptor.
- Consultar al vendedor o a un técnico experimentado de radio/TV para obtener ayuda.

Este dispositivo cumple con el apartado 15 de las normas FCC. Su uso está sujeto a las dos condiciones siguientes: (1) este dispositivo no puede causar interferencias nocivas, y (2) este dispositivo debe admitir cualquier interferencia recibida, incluidas las interferencias que puedan causar un funcionamiento indeseado.

Tenga en cuenta que los cambios o modificaciones no aprobadas explícitamente por la parte responsable del cumplimiento pueden anular la autoridad del usuario para usar el equipo.

El diseño y las especificaciones del producto están sujetos a cambios sin notificación previa. Este producto ha sido diseñado y está pensado para ser usado por personas de 14 años o más de edad.

¿Necesita ayuda?

Contacte con el soporte técnico de Celestron visitando celestron.com/pages/technical-support

celestron.com

© 2022 Celestron • Todos los derechos reservados • celestron.com
2835 Columbia Street • Torrance, CA 90503 EE.UU.